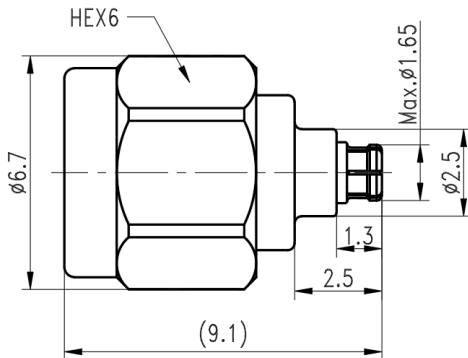


Drawing(mm)



Electrical & Environmental

Impedance	50 ohm
Frequency Range	DC-100 GHz
VSWR	1.4 max (a pair of 1.0mm to SMPS adapter)
Operating Temp	-55°C-+120°C

Material

Connector Body	Passivated stainless steel
Center Contact	Gold plated beryllium copper
Insulator	PEI

Typical Test Data

