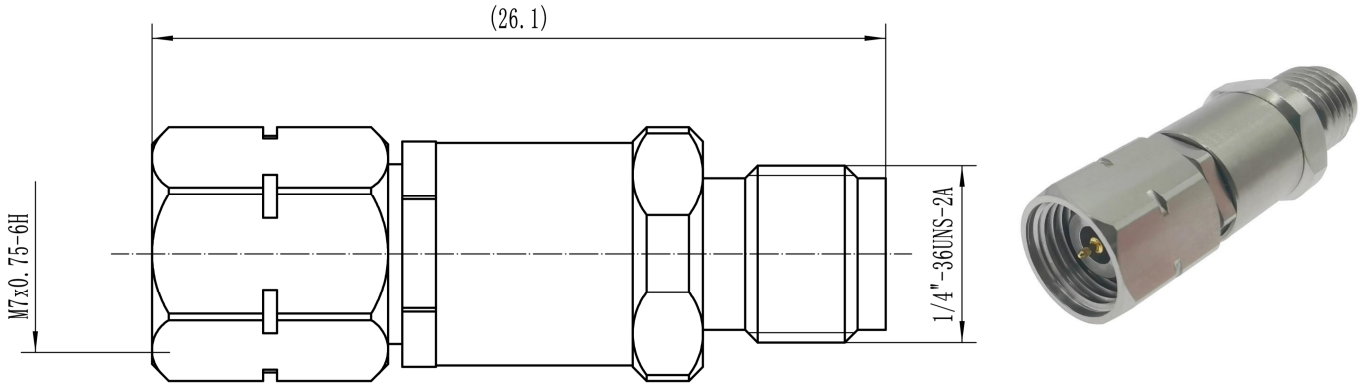


Drawing(mm)



Electrical & Environmental

|                 |  |
|-----------------|--|
| Impedance       | 50 ohm                                   |
| Frequency Range | 18 GHz                                   |
| VSWR            | 1.15 max                                 |
| Operating Temp  | -55°C to +165°C                          |
| Interface       | SMA per MIL-STD-348, 2.4mm per IEC 61169 |

Material

|                |                              |
|----------------|------------------------------|
| Connector Body | Passivated stainless steel   |
| Center Contact | Gold plated beryllium copper |
| Insulator      | PEI&PTFE                     |

Typical Test Data

