

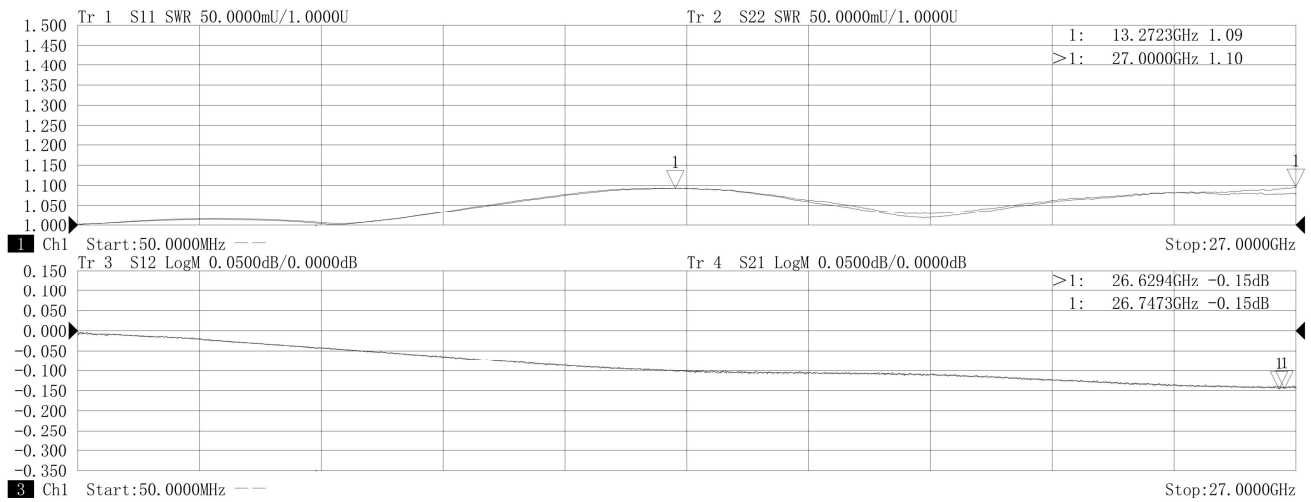
Electrical & Environmental

Impedance	50 ohm
Frequency Range	DC-27 GHz
VSWR	1.15 max
Operating Temp	-55°C to +165°C
Interface	SMA per MIL-STD-348

Material

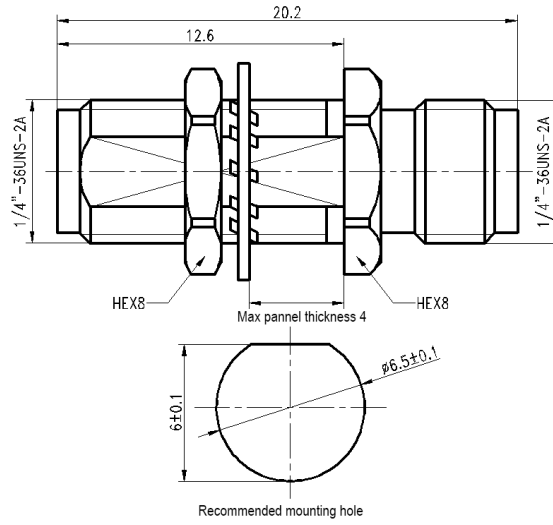
Connector Body	Passivated stainless steel
Center Contact	Gold plated beryllium copper
Insulator	PTFE
O ring	Silicone rubber

Typical Test Data

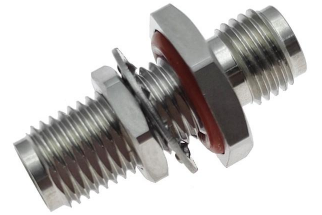
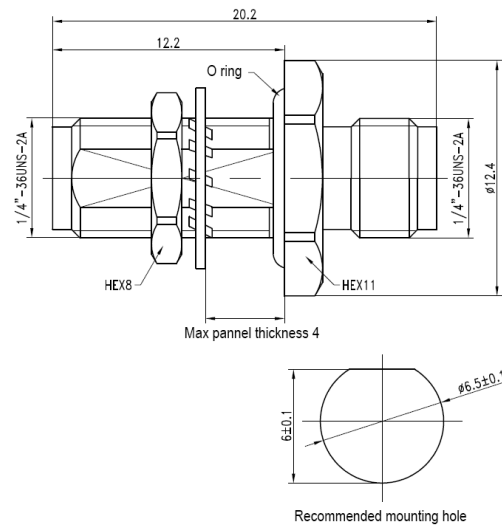


Drawing(mm)

A2701P-Y1



A2701P-Y2



A2701P-Y3

