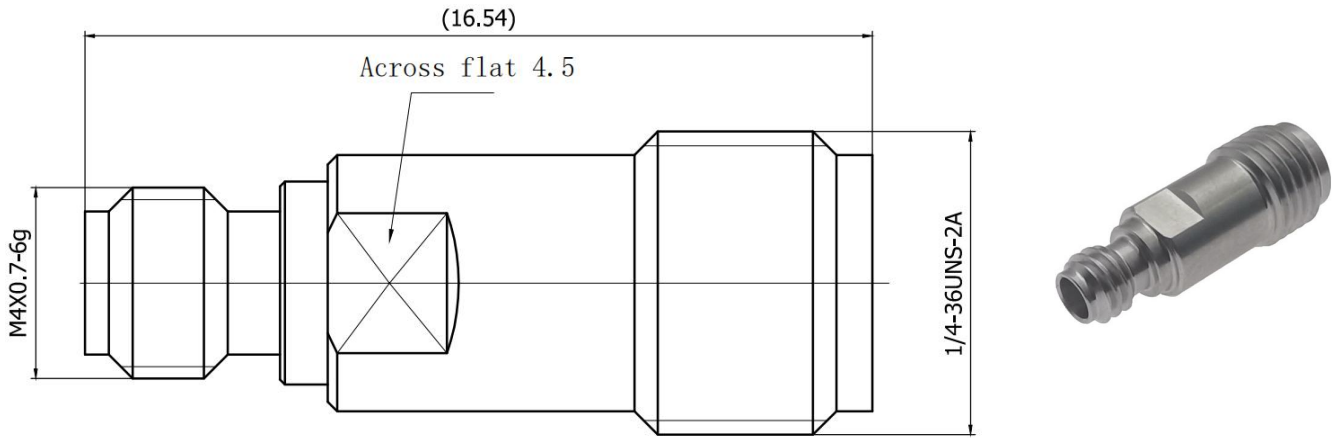


Drawing(mm)



Electrical & Environmental

|                 |   |
|-----------------|---|
| Impedance       | 50 ohm                                      |
| Frequency Range | 40 GHz                                      |
| VSWR            | 1.25 max                                    |
| Operating Temp  | -55°C to +165°C                             |
| Interface       | 2.92mm per MIL-STD-348, 1.0mm per IEC 61169 |

Material

|                |                              |
|----------------|------------------------------|
| Connector Body | Passivated stainless steel   |
| Center Contact | Gold plated beryllium copper |
| Insulator      | PEI                          |

Typical Test Data

