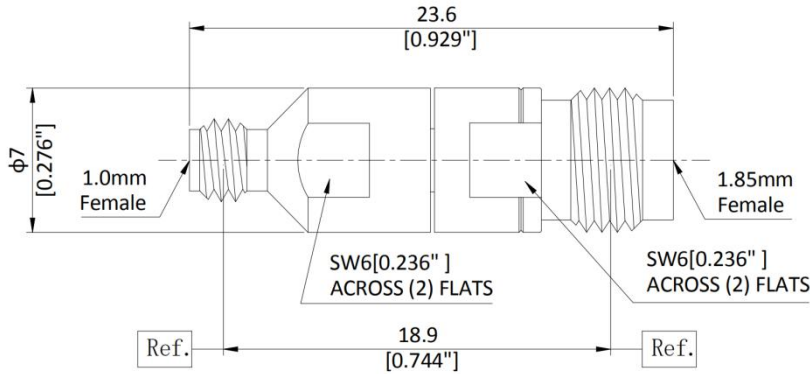


Drawing(mm)



Electrical & Environmental

Impedance	50 ohm
Frequency Range	67 GHz
VSWR	1.25 max
Operating Temp	-55°C to +85°C
Interface	1.85mm&1.0mm per IEC 61169

Material

Connector Body	Passivated stainless steel
Center Contact	Gold plated beryllium copper
Insulator	CPS&PEEK

Typical Test Data

