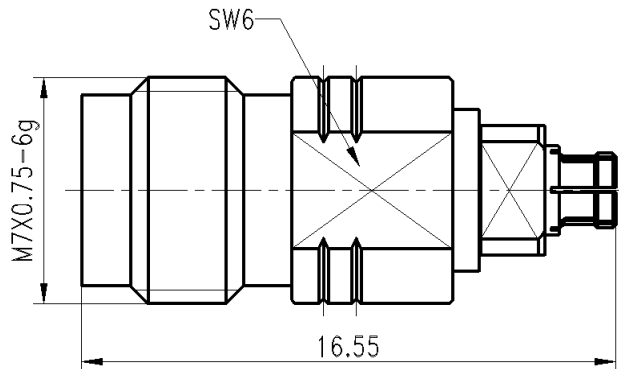


Drawing(mm)



Electrical & Environmental

Impedance	50 ohm
Frequency Range	DC-67 GHz
VSWR	1.45 max (a pair of 1.85mm to Mini SMP adapter)
Operating Temp	-55°C-+120°C
Interface	Mini SMP per MIL-STD-348, 1.85mm per IEC 61169

Material

Connector Body	Passivated stainless steel
Center Contact	Gold plated beryllium copper
Insulator	PEI

Typical Test Data

