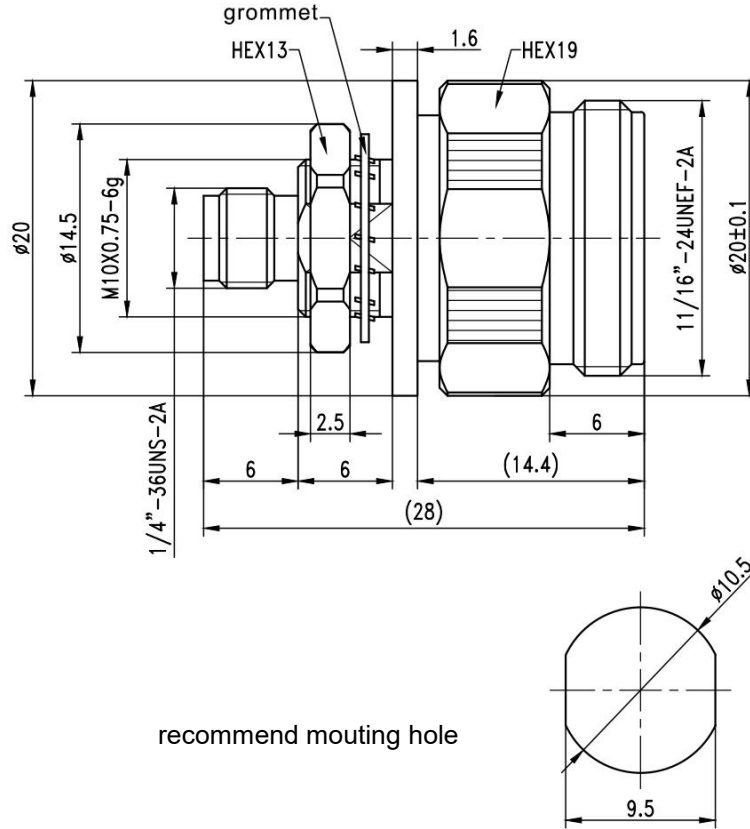


Drawing(mm)



Electrical & Environmental

|                       |                 |
|-----------------------|-----------------|
| Impedance             | 50 ohm          |
| Frequency Range       | DC-40 GHz       |
| VSWR                  | 1.15 max        |
| Operating Temperature | -55°C to +165°C |

Mechanical

|                |                              |
|----------------|------------------------------|
| Connector Body | Passivated stainless steel   |
| Center Contact | Gold plated beryllium copper |
| Insulator      | PEI                          |
| Mating Life    | 2000 times min               |