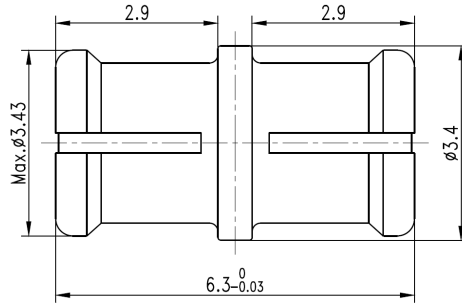


Drawing(mm)



Electrical

Impedance	50 ohm
Frequency Range	DC-40 GHz
VSWR	1.25 max
Operating Voltage (AC)	500 Vrms
Insulation Resistance	5000 MOhms min
Inner Conductor DC Resistance	6 mOhms max
Outer Conductor DC Resistance	3 mOhms max

Mechanical

Interface	SMP per MIL-STD-348
-----------	---------------------

Material

Connector Body	Gold plated beryllium copper
Center Contact	Gold plated beryllium copper
Insulator	PTFE