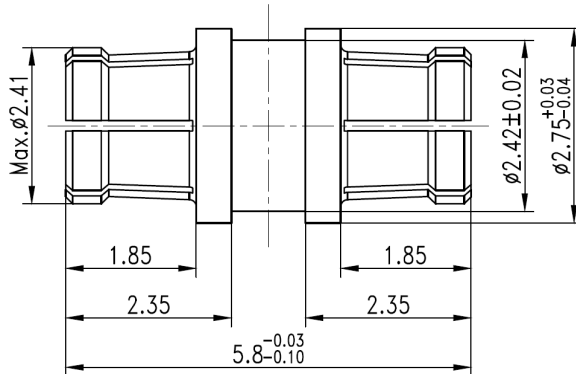


**Drawing(mm)**

**Electrical**

<b>Impedance</b>	50 ohm
<b>Frequency Range</b>	DC-18 GHz
<b>VSWR</b>	1.15 max
<b>Operating Voltage (AC)</b>	500 Vrms
<b>Insulation Resistance</b>	5000 MOhms min
<b>Inner Conductor DC Resistance</b>	4 mOhms max
<b>Outer Conductor DC Resistance</b>	2.5 mOhms max

**Mechanical**

<b>Interface</b>	Mini SMP per MIL-STD-348
------------------	--------------------------

**Material**

<b>Connector Body</b>	Gold plated beryllium copper
<b>Center Contact</b>	Gold plated beryllium copper
<b>Insulator</b>	PTFE