



## Waveguide to Coaxial Adapter **AWR112N**

### WR112 to N Female, Square Cover Flange, Right Angle

Rev 3

#### Electrical

<b>Impedance</b>	50 ohm
<b>Frequency Range</b>	6.57-9.9 GHz
<b>VSWR</b>	1.2 max

#### Configuration

<b>Waveguide Size</b>	IEC	84
	EIA	WR112
<b>Flange Type</b>	IEC	UBR84
	North America	Al alloy: M3922/53-004(UG138/U) Cu alloy: M3922/53-002(UG51/U)
<b>Coax Connector</b>	N Female	
<b>Body Geometry</b>	Right Angle	

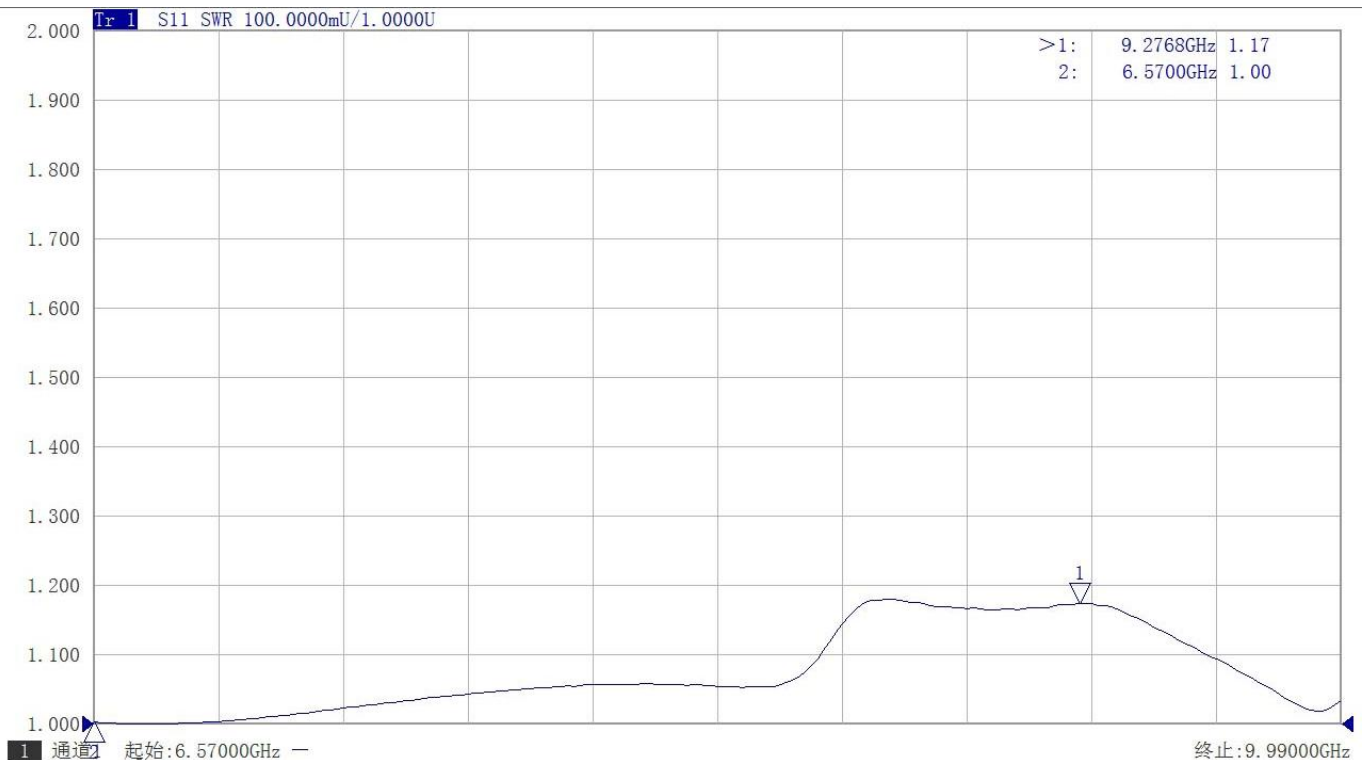
#### Materials

<b>Waveguide Body</b>	Aluminum, black or grey painted
<b>Connector Body</b>	Passivated stainless steel
<b>Center Contact</b>	Gold plated beryllium copper

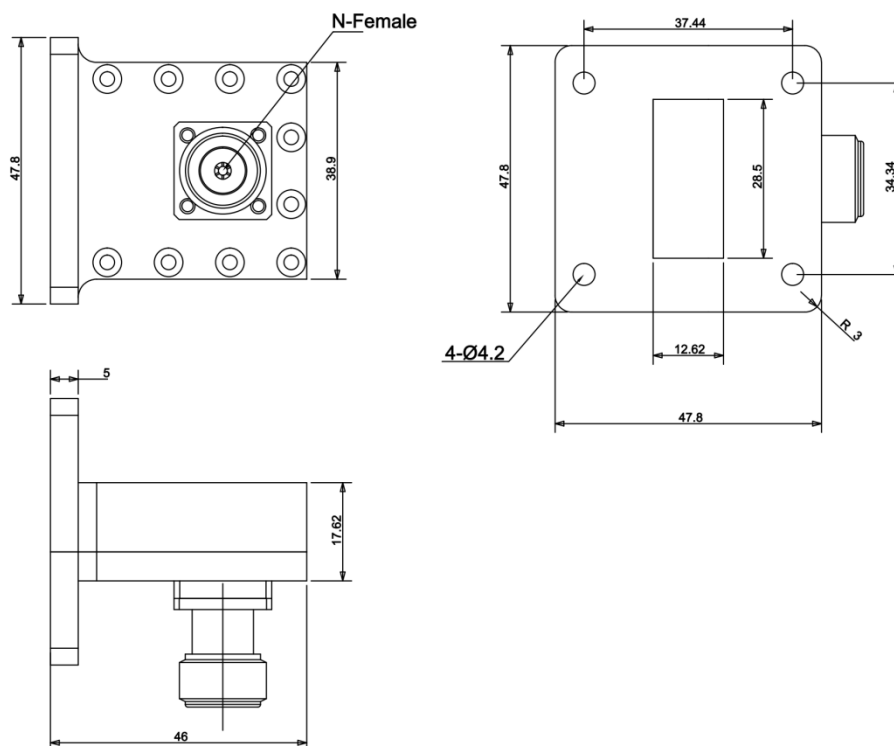
#### Mechanical & Environmental

<b>Operating Temp</b>	-40°C to 70°C
<b>Connector Interface</b>	MIL-STD-348
<b>RoHS</b>	Compliant

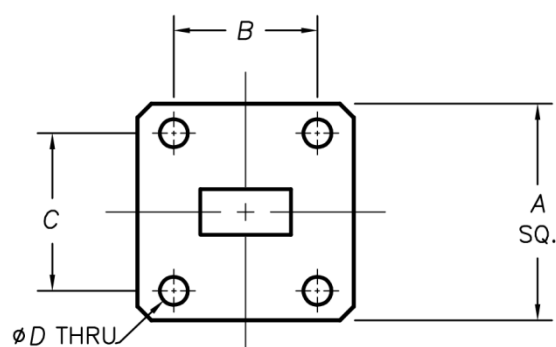
#### Typical Test Data



## Dimensions(mm)



## Flange Comparison (Unit mm)



WG SIZE	CONFORMING STANDARD	A	B	C	D
WR112	RF ONE:AWR112N	47.8	34.34	37.44	4.2
	IEC60154:UBR84	47.80	34.34	37.44	4.17
	USA:MIL3922/53-004(UG138/U)	47.63	34.34	37.44	4.29

\* The purpose of this size comparison is to provide a quick overview of different flange standards.

\* Great care has been given nevertheless there might be a few mistakes.

\* Please check the flange compatibility before ordering. Customized flanges are available.