

# Waveguide to Coaxial Adapter **AWR112NG**

**WR112 to N Female, Rectangular, Grooved Flange, Right Angle**



Rev 3

### Electrical

<b>Impedance</b>	50 ohm
<b>Frequency Range</b>	6.57-9.9 GHz
<b>VSWR</b>	1.2 max

### Configuration

<b>Waveguide Size</b>	IEC	84
	EIA	WR112
<b>Flange Type</b>	IEC	PDR 84
	North America	CPR 112G
<b>Coax Connector</b>	N Female	
<b>Body Geometry</b>	Right Angle	

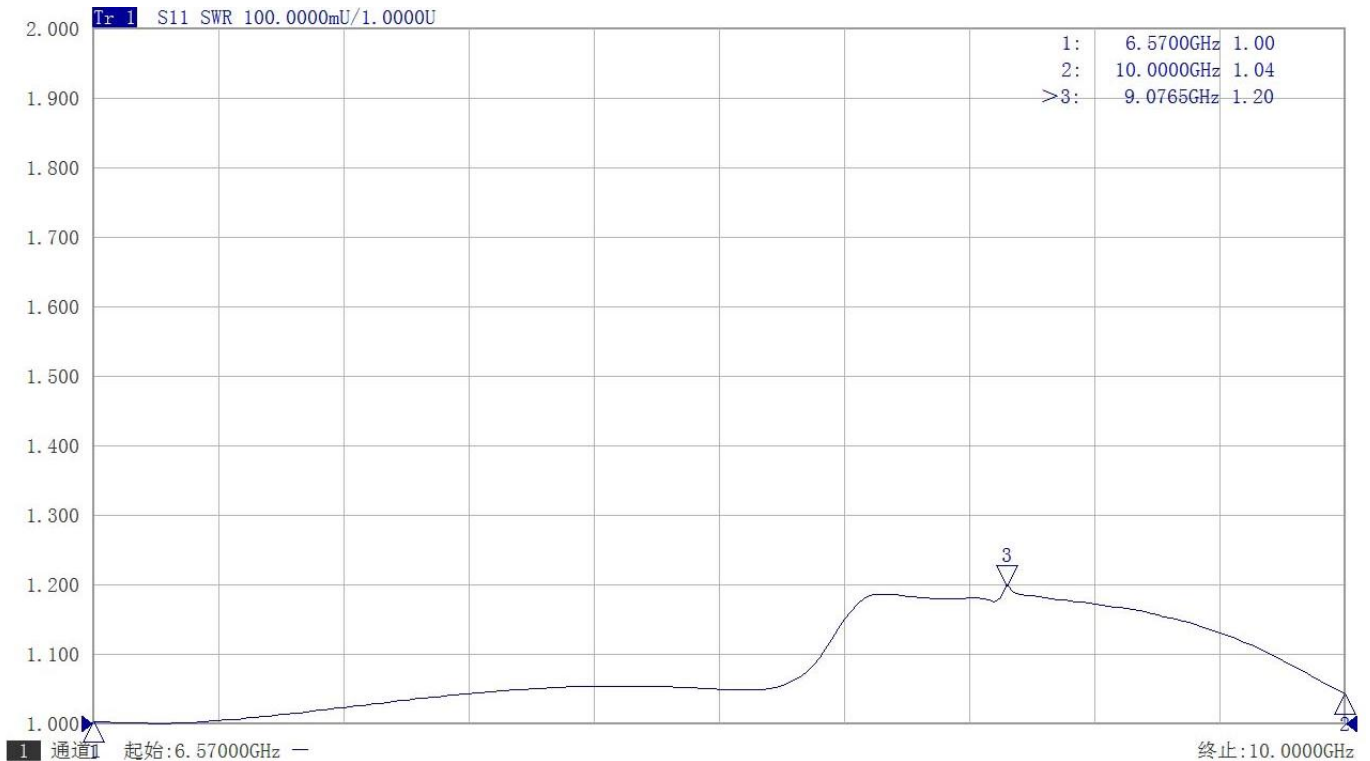
### Materials

<b>Waveguide Body</b>	Aluminum, black or grey painted
<b>Connector Body</b>	Passivated stainless steel
<b>Center Contact</b>	Gold plated beryllium copper

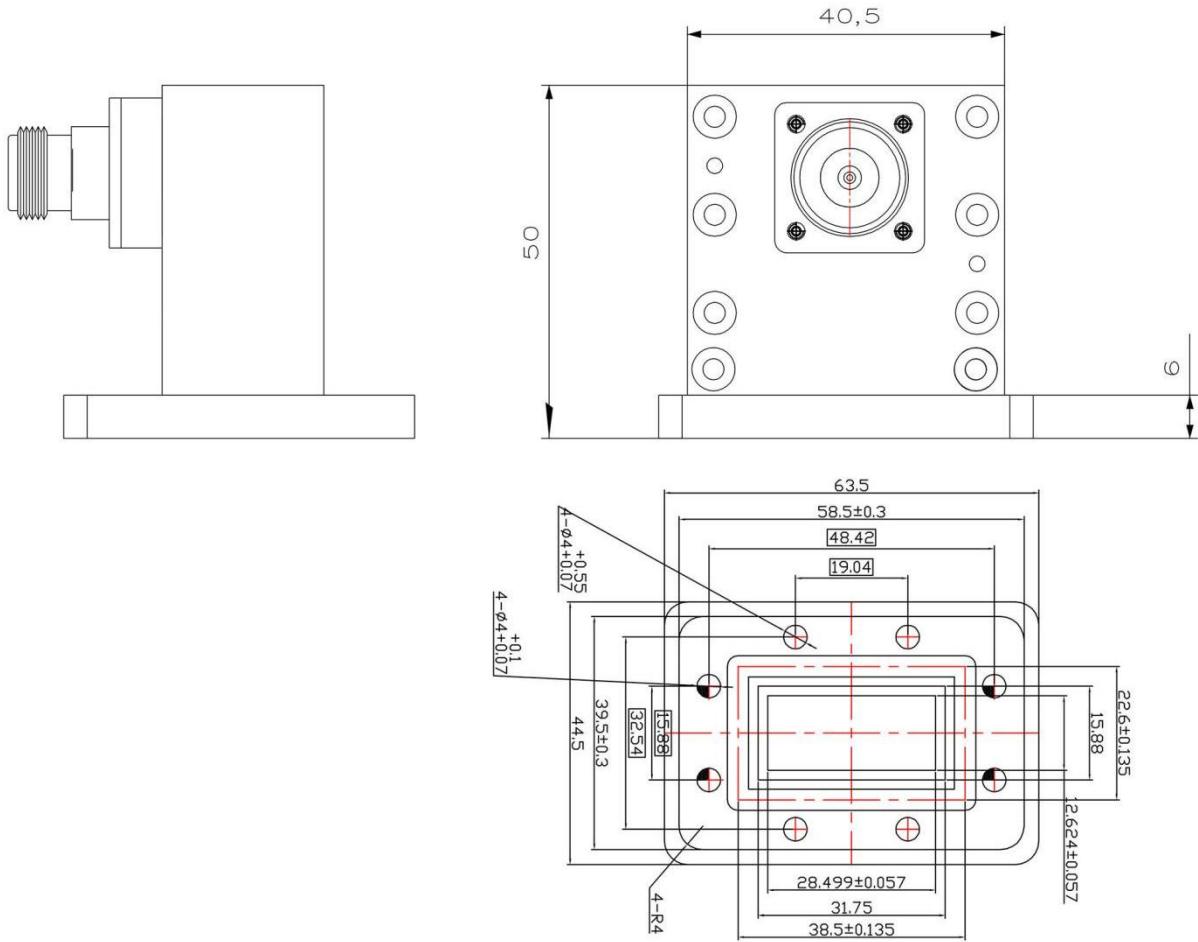
### Mechanical & Environmental

<b>Operating Temp</b>	-40°C to 70°C
<b>Connector Interface</b>	MIL-STD-348
<b>RoHS</b>	Compliant

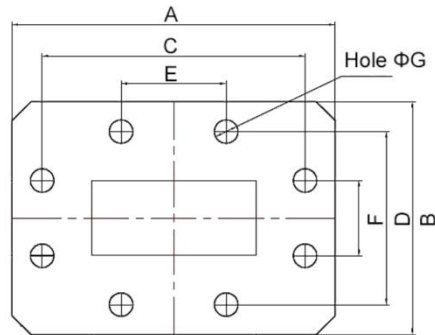
### Typical Test Data



## Dimensions(mm)



## Flange Comparison (Unit mm)



WG SIZE	CONFORMING STANDARD	A	B	C	D	E	F	G
WR112	RF ONE:AWR112NG	63.5	44.5	48.4	32.52	19.06	15.9	4.0
	IEC60154:PDR70	63.50	44.50	48.42	32.54	19.04	15.88	4.00
	USA:CPR 112G	63.50	44.50	48.40	32.52	19.06	15.90	4.29

\* The purpose of this size comparison is to provide a quick overview of different flange standards.

\* Great care has been given nevertheless there might be a few mistakes.

\* Please check the flange compatibility before ordering. Customized flanges are available.