

WR112 to SMA Female Waveguide to Coaxial Adapter PBR84 Flange, Right Angle



Rev 5

Electrical

Frequency Range	6.57-9.99 GHz
VSWR	1.2 max

Configuration

Waveguide Size	IEC	R84
	EIA	WR112
Flange	PBR 84	
Coax Connector	SMA Female	
Body Geometry	Right Angle	

Mechanical & Environmental

Waveguide Body	Aluminum, conductive oxidation, anti-corrosive paint
Connector Body	Passivated stainless steel
Center Contact	Gold plated beryllium copper
Operating Temperature	-40°C to +85°C
Connector Interface	MIL-STD-348
RoHS	Compliant under exemptions 6 (b) or 6 (c)
Net Weight	Approx 80g

Note

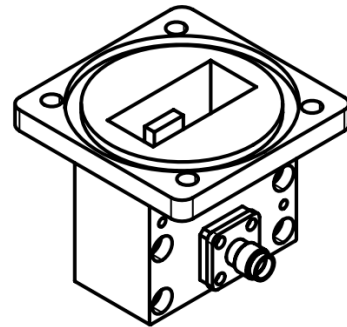
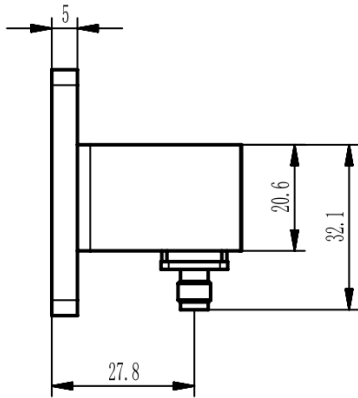
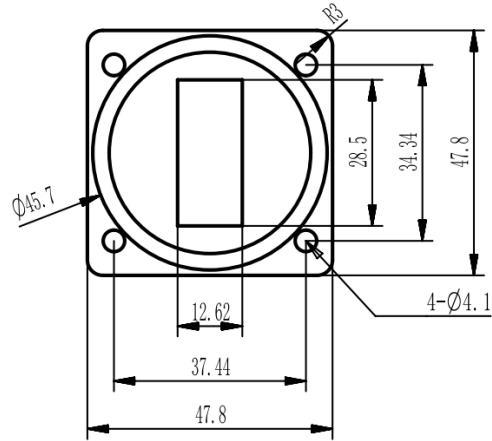
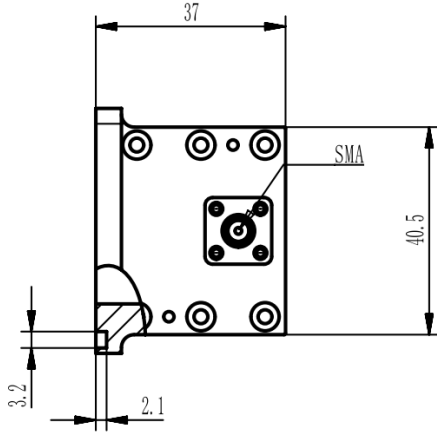
* Paint in grey or black by default, other colors available.

WR112 to SMA Female Waveguide to Coaxial Adapter
PBR84 Flange, Right Angle



Rev 5

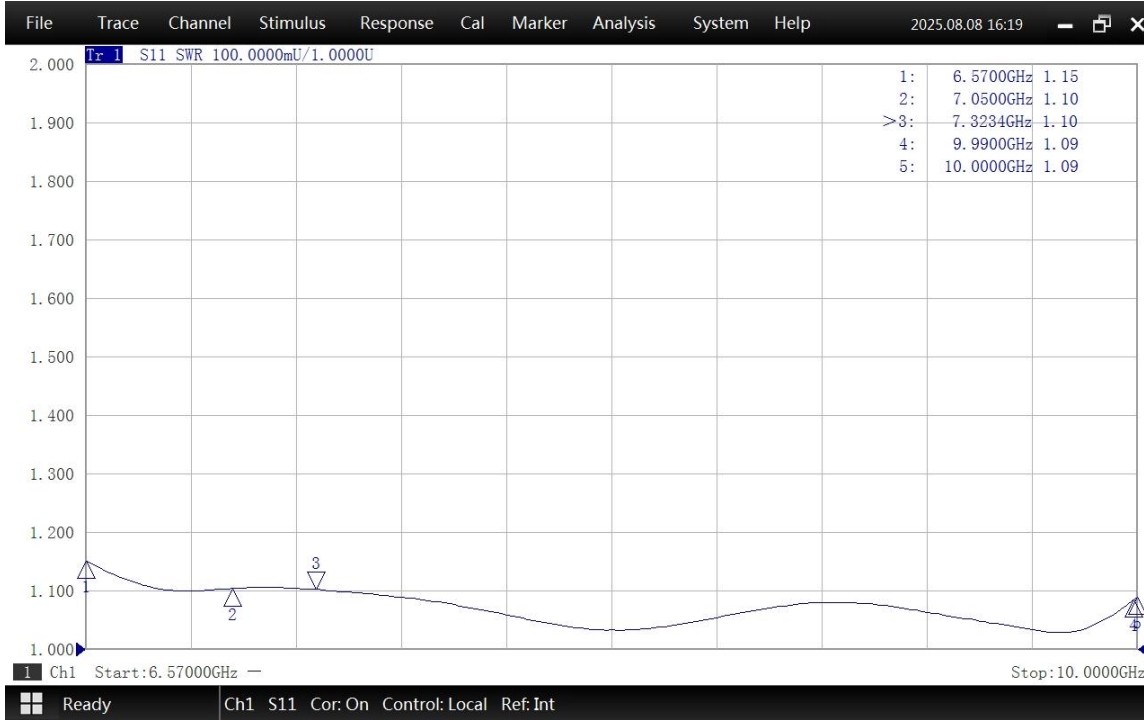
Dimensions(mm)



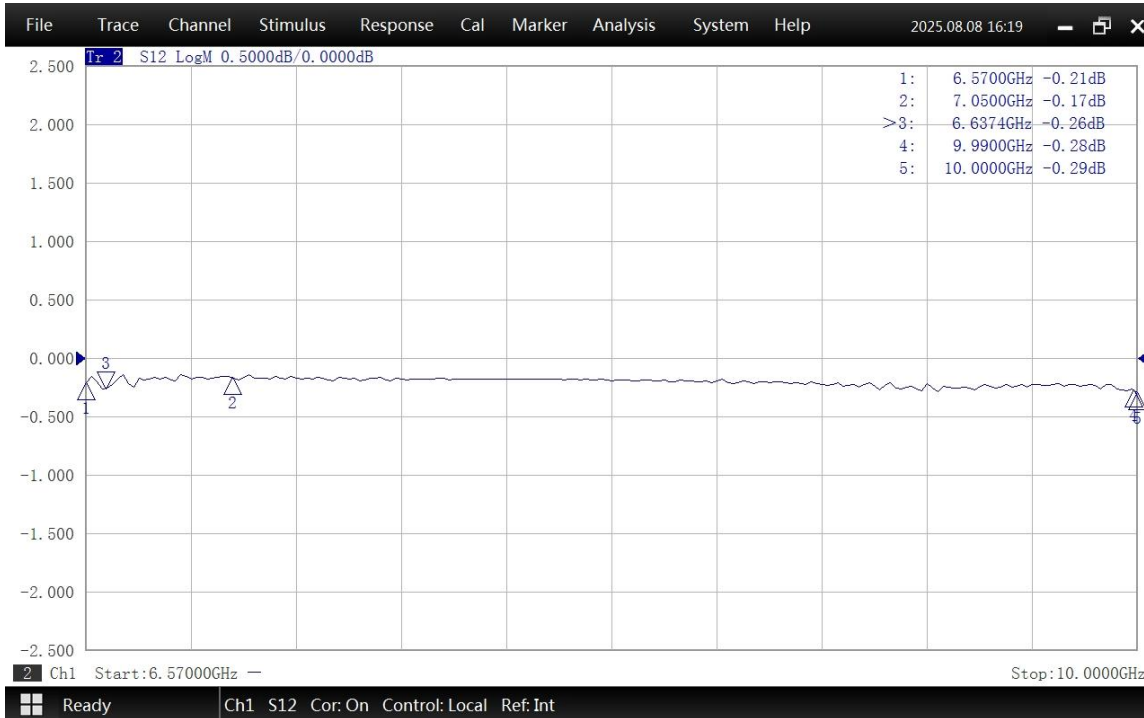
WR112 to SMA Female Waveguide to Coaxial Adapter PBR84 Flange, Right Angle



Typical Test Data at 25°C



VSWR



Insertion Loss*

* In Insertion Loss (IL) testing, adapters are measured back-to-back. To obtain the loss of a single adapter, divide the measured value by two.