

Waveguide to Coaxial Adapter **AWR112SMAREL**

WR112 to SMA Female, Rectangular Cover Flange, End Launch

Rev 1

Electrical

Impedance	50 ohm
Frequency Range	6.57-9.9 GHz
VSWR	1.2 max

Configuration

Waveguide Size	IEC	84
	EIA	WR112
Flange Type	IEC	UDR84
	North America	M3922/52-020(UG1735/U) CPR112F
Coax Connector	SMA Female	
Body Geometry	End Launch	

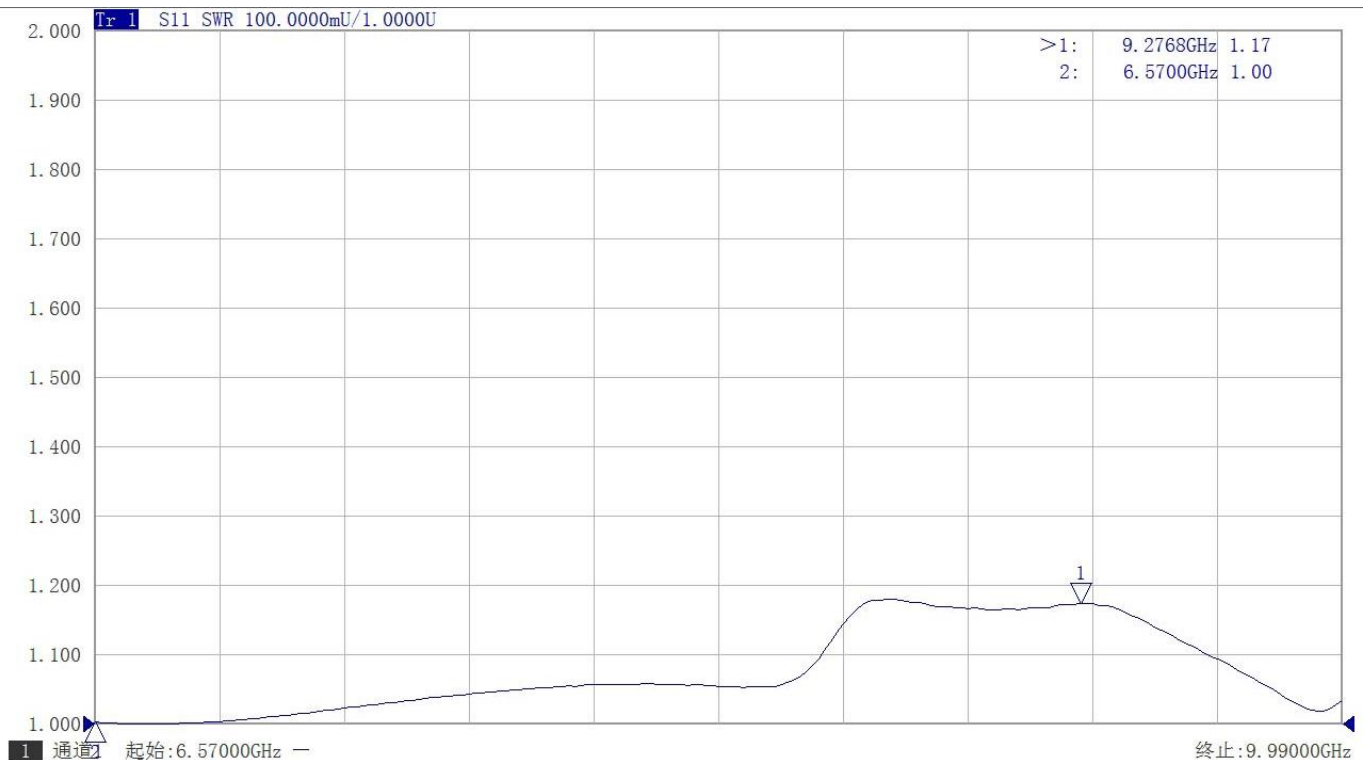
Materials

Waveguide Body	Aluminum, black or grey painted
Connector Body	Passivated stainless steel
Center Contact	Gold plated beryllium copper

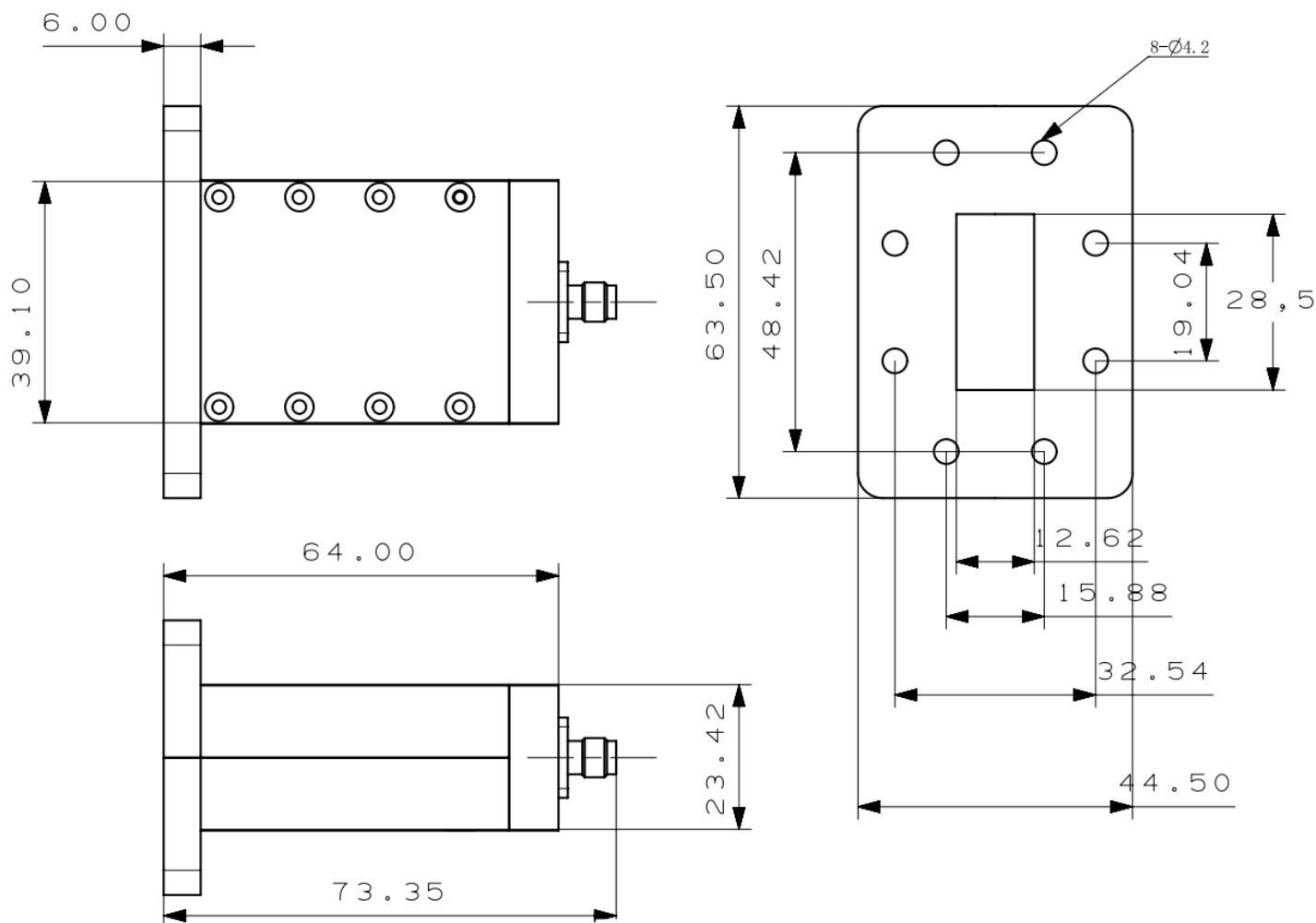
Mechanical & Environmental

Operating Temp	-40°C to 70°C
Connector Interface	MIL-STD-348
RoHS	Compliant

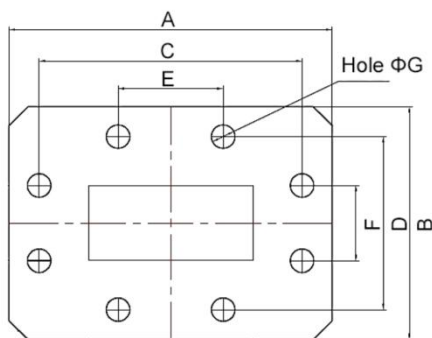
Typical Test Data



Dimensions(mm)



Flange Comparison (Unit mm)



WG SIZE	CONFORMING STANDARD	A	B	C	D	E	F	G
WR112	RF ONE:AWR112SMAREL	63.5	44.5	48.42	32.54	19.04	15.88	4.2
	IEC60154:UDR84	63.5	44.5	48.42	32.54	19.04	15.88	4.00
	USA:MIL3922/52-020(UG1735/U)	63.5	44.45	48.42	32.52	19.04	15.9	4.29

* The purpose of this size comparison is to provide a quick overview of different flange standards.

* Great care has been given nevertheless there might be a few mistakes.

* Please check the flange compatibility before ordering. Customized flanges are available.