

# Waveguide to Coaxial Adapter **AWR137NG**

**WR137 to N Female, Rectangular Grooved Flange, Right Angle**



Rev 3

## Electrical

<b>Impedance</b>	50 ohm
<b>Frequency Range</b>	5.37-8.2 GHz
<b>VSWR</b>	1.2 max

## Configuration

<b>Waveguide Size</b>	IEC	70
	EIA	WR137
<b>Flange Type</b>	IEC	PDR70
	North America	Al alloy: M3922/52-040(UG1357/U) Cu alloy: M3922/52-039(UG1356/U) CPR137G
<b>Coax Connector</b>	N Female	
<b>Body Geometry</b>	Right Angle	

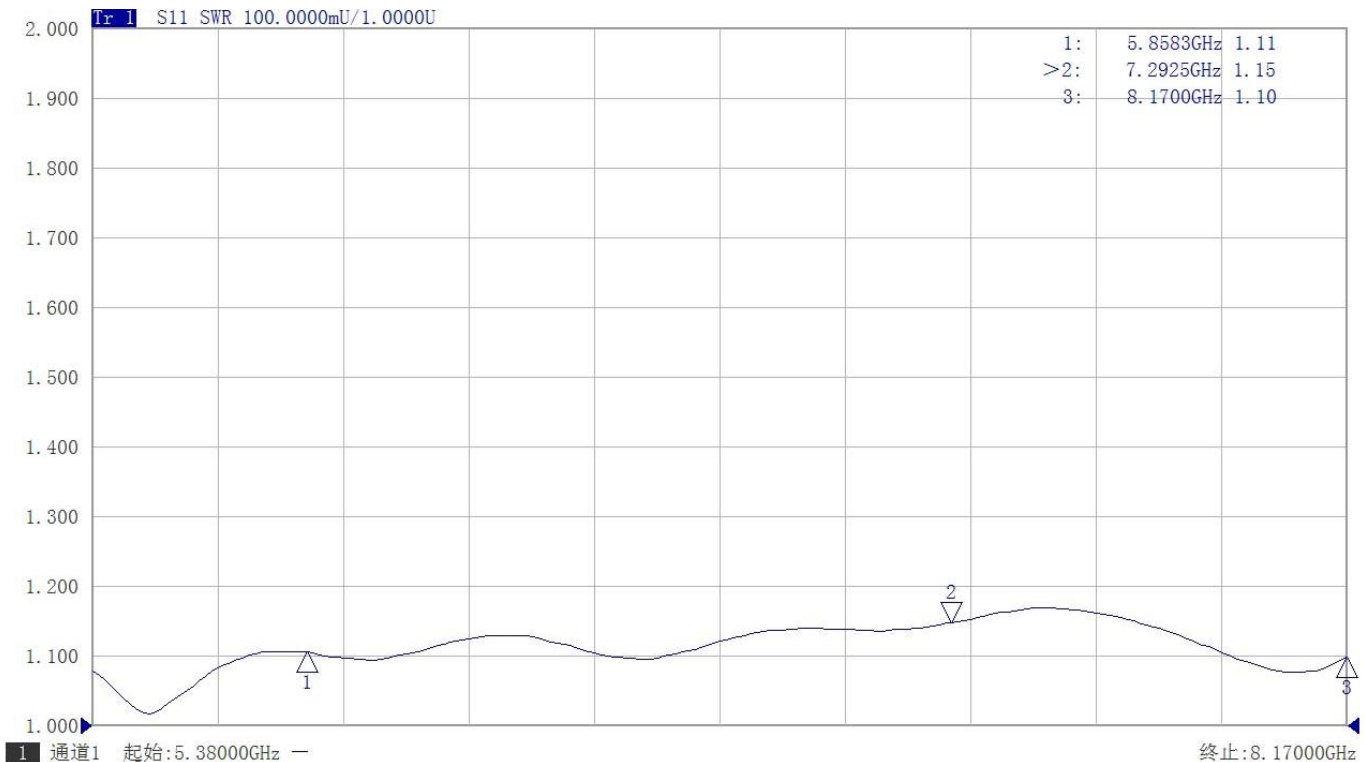
## Materials

<b>Waveguide Body</b>	Aluminum, black or grey painted
<b>Connector Body</b>	Passivated stainless steel
<b>Center Contact</b>	Gold plated beryllium copper

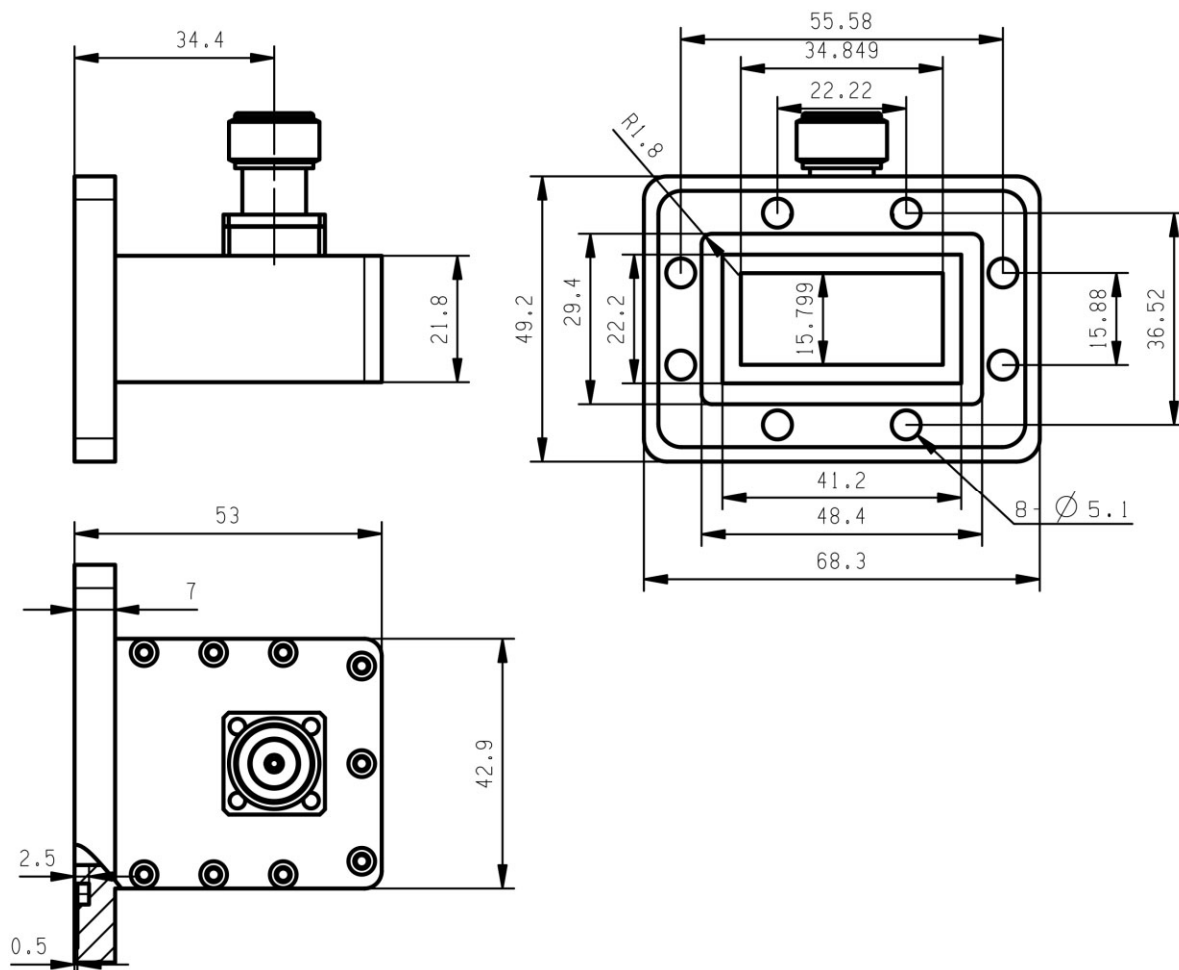
## Mechanical & Environmental

<b>Operating Temp</b>	-40°C to 70°C
<b>Connector Interface</b>	MIL-STD-348
<b>RoHS</b>	Compliant

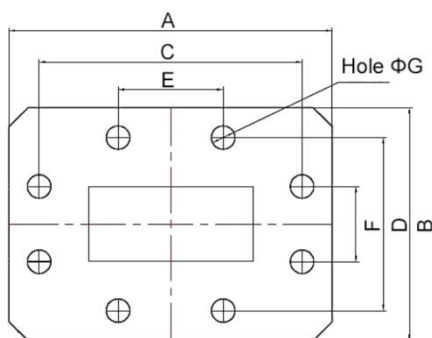
## Typical Test Data



## Dimensions(mm)



## Flange Comparison (Unit mm)



WG SIZE	CONFORMING STANDARD	A	B	C	D	E	F	G
WR137	RF ONE:AWR137NG	68.3	49.2	55.58	36.52	22.2	15.88	5.1
	IEC60154:PDR70	68.30	49.20	55.58	36.52	22.22	15.88	5.00
	USA:MIL3922/52-040(UG1357/U)	68.33	49.28	55.58	36.52	22.24	15.90	4.98
	USA:CPR 137G	68.26	49.21	55.58	36.52	22.22	15.88	5.03

\* The purpose of this size comparison is to provide a quick overview of different flange standards.

\* Great care has been given nevertheless there might be a few mistakes.

\* Please check the flange compatibility before ordering. Customized flanges are available.