

Waveguide to Coaxial Adapter **AWR137NM**

WR137 to N Male, Rectangular Cover Flange, Right Angle

Rev 1

Electrical

Impedance	50 ohm
Frequency Range	5.38-8.17 GHz
VSWR	1.25 max

Configuration

Waveguide Size	IEC	70
	EIA	WR137
Flange Type	IEC	UDR70
	North America	Al alloy: M3922/52-018(UG1733/U) Cu alloy: M3922/52-017(UG1732/U) CPR137F
Coax Connector	N Male	
Body Geometry	Right Angle	

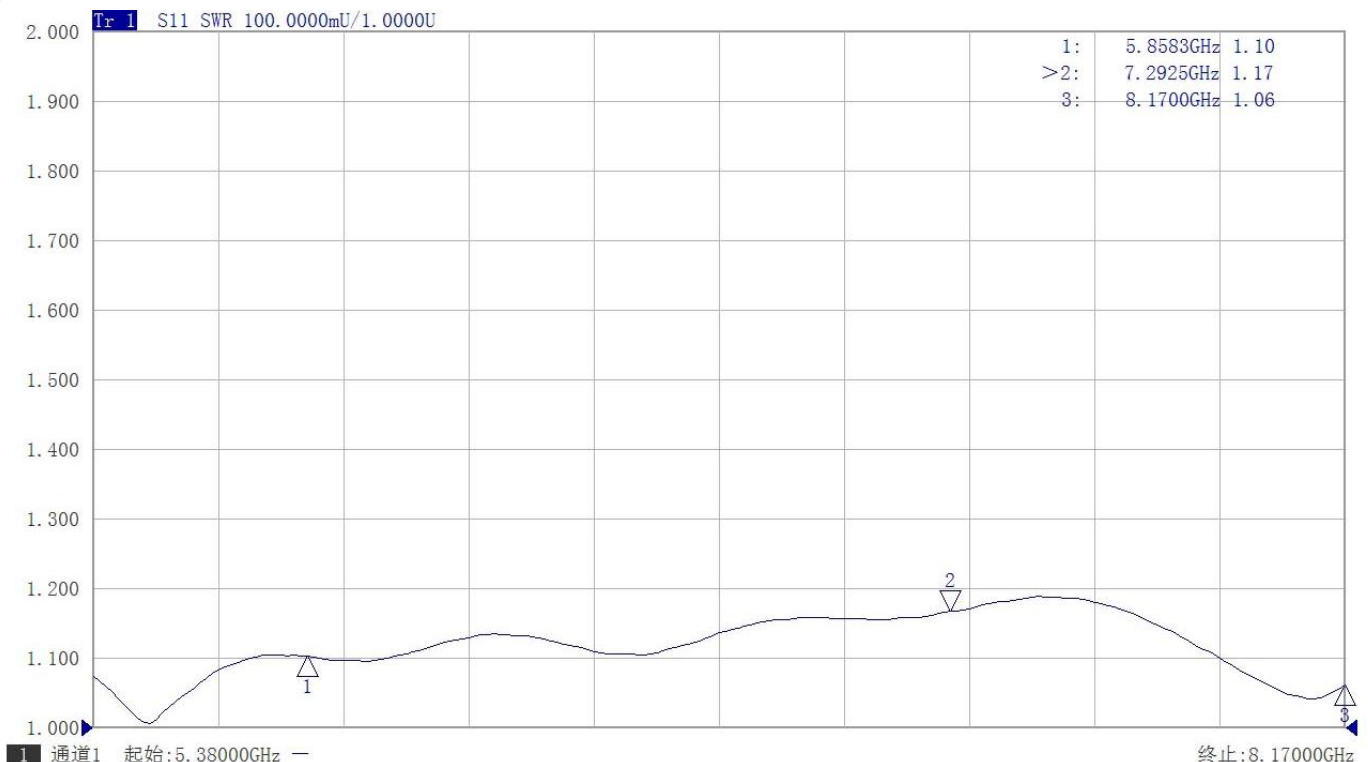
Materials

Waveguide Body	Aluminum, black or grey painted
Connector Body	Passivated stainless steel
Center Contact	Gold plated brass

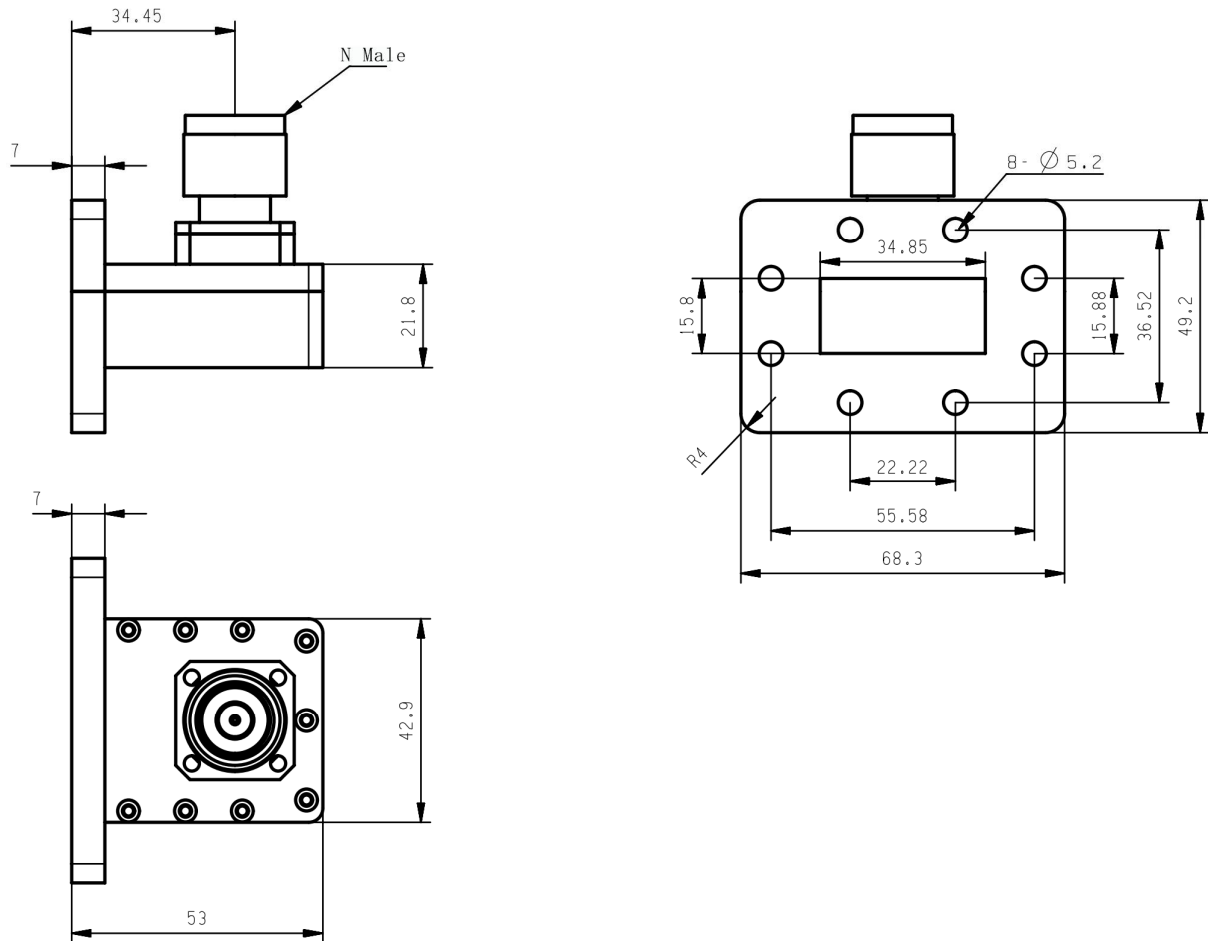
Mechanical & Environmental

Operating Temp	-40°C to 70°C
Connector Interface	MIL-STD-348
RoHS	Compliant

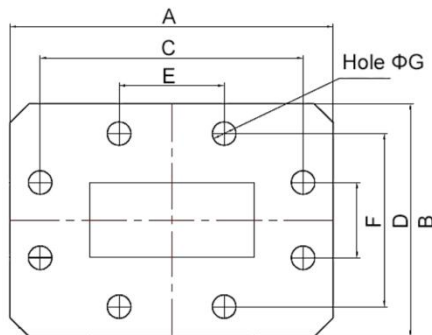
Typical Test Data



Dimensions(mm)



Flange Comparison (Unit mm)



WG SIZE	CONFORMING STANDARD	A	B	C	D	E	F	G
WR137	RF ONE:AWR137NM	68.3	49.2	55.58	36.5	22.22	15.88	5.2
	IEC60154:UDR70	68.30	49.20	55.58	36.52	22.22	15.88	5.00
	USA:MIL3922/52-017(UG1732/U)	68.33	49.28	55.58	36.52	22.24	15.90	4.98

* The purpose of this size comparison is to provide a quick overview of different flange standards.

* Great care has been given nevertheless there might be a few mistakes.

* Please check the flange compatibility before ordering. Customized flanges are available.