

# Waveguide to Coaxial Adapter **AWR137SMAG**

**WR137 to SMA Female, Rectangular Grooved Flange, Right Angle**



Rev1

## Electrical

|                        |               |
|------------------------|---------------|
| <b>Impedance</b>       | 50 ohm        |
| <b>Frequency Range</b> | 5.37-8.17 GHz |
| <b>VSWR</b>            | 1.2 max       |

## Configuration

|                       |               |         |
|-----------------------|---------------|---------|
| <b>Waveguide Size</b> | IEC           | 70      |
|                       | EIA           | WR137   |
| <b>Flange Type</b>    | IEC           | PDR70   |
|                       | North America | CPR137G |
| <b>Coax Connector</b> | SMA Female    |         |
| <b>Body Geometry</b>  | Right Angle   |         |

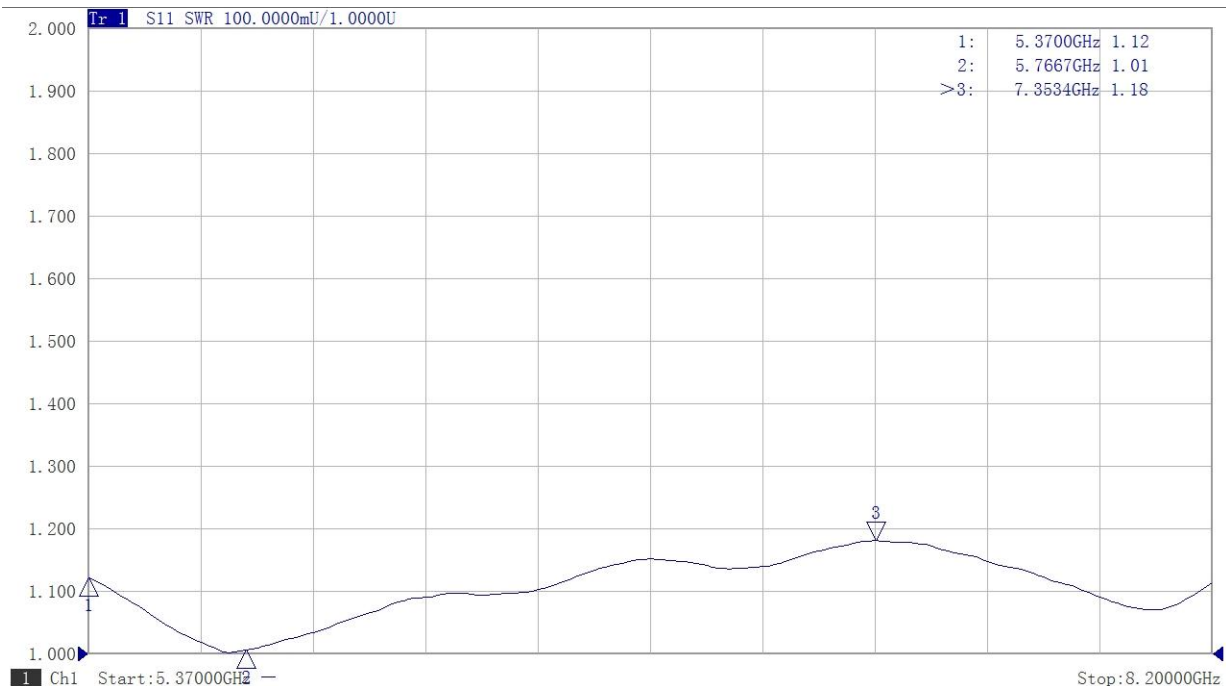
## Materials

|                       |                                 |
|-----------------------|---------------------------------|
| <b>Waveguide Body</b> | Aluminum, black or grey painted |
| <b>Connector Body</b> | Passivated stainless steel      |
| <b>Center Contact</b> | Gold plated beryllium copper    |

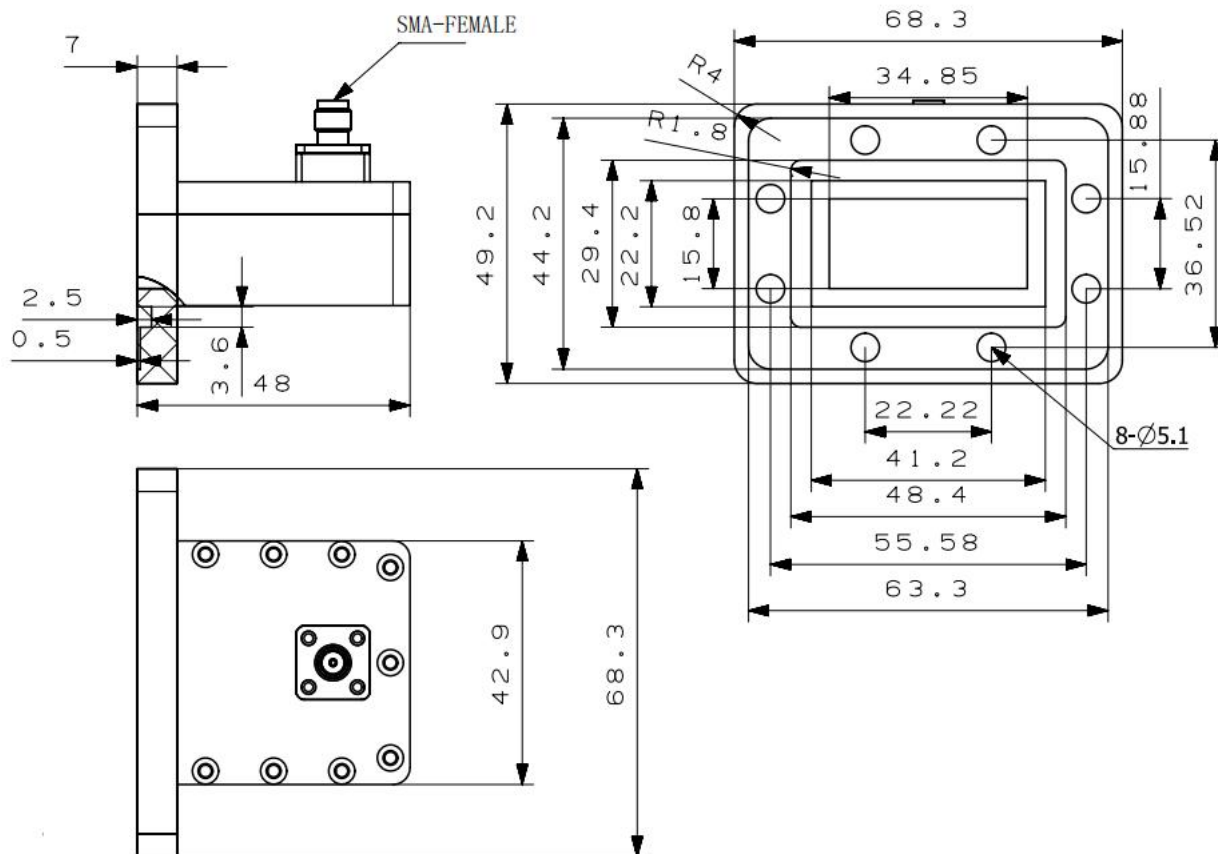
## Mechanical & Environmental

|                            |               |
|----------------------------|---------------|
| <b>Operating Temp</b>      | -40°C to 70°C |
| <b>Connector Interface</b> | MIL-STD-348   |
| <b>RoHS</b>                | Compliant     |

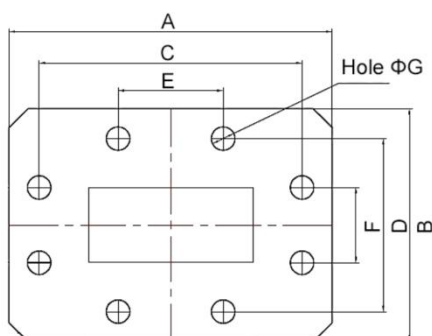
## Typical Test Data



## Dimensions(mm)



## Flange Comparison (Unit mm)



| WG SIZE | CONFORMING STANDARD | A     | B     | C     | D     | E     | F     | G    |
|---------|---------------------|-------|-------|-------|-------|-------|-------|------|
| WR137   | RF ONE:AWR137SMAG   | 68.3  | 49.2  | 55.58 | 36.52 | 22.22 | 15.88 | 5.1  |
|         | IEC60154:PDR70      | 68.30 | 49.20 | 55.58 | 36.52 | 22.22 | 15.88 | 5.00 |
|         | USA:CPR 137G        | 68.26 | 49.21 | 55.58 | 36.52 | 22.22 | 15.88 | 5.03 |

\* The purpose of this size comparison is to provide a quick overview of different flange standards.

\* Great care has been given nevertheless there might be a few mistakes.

\* Please check the flange compatibility before ordering. Customized flanges are available.