

Waveguide to Coaxial Adapter **AWR159SMAEL**

WR159 to SMA Female, Rectangular Cover Flange, End Launch

Rev 1

Electrical

Impedance	50 ohm
Frequency Range	4.64-7.05 GHz
VSWR	1.2 max

Configuration

Waveguide Size	IEC	R 58
	EIA	WR137
Flange Type	IEC	UDR58
	North America	M3922/52-016(UG1731/U) CPR159F
Coax Connector	SMA Female	
Body Geometry	End Launch	

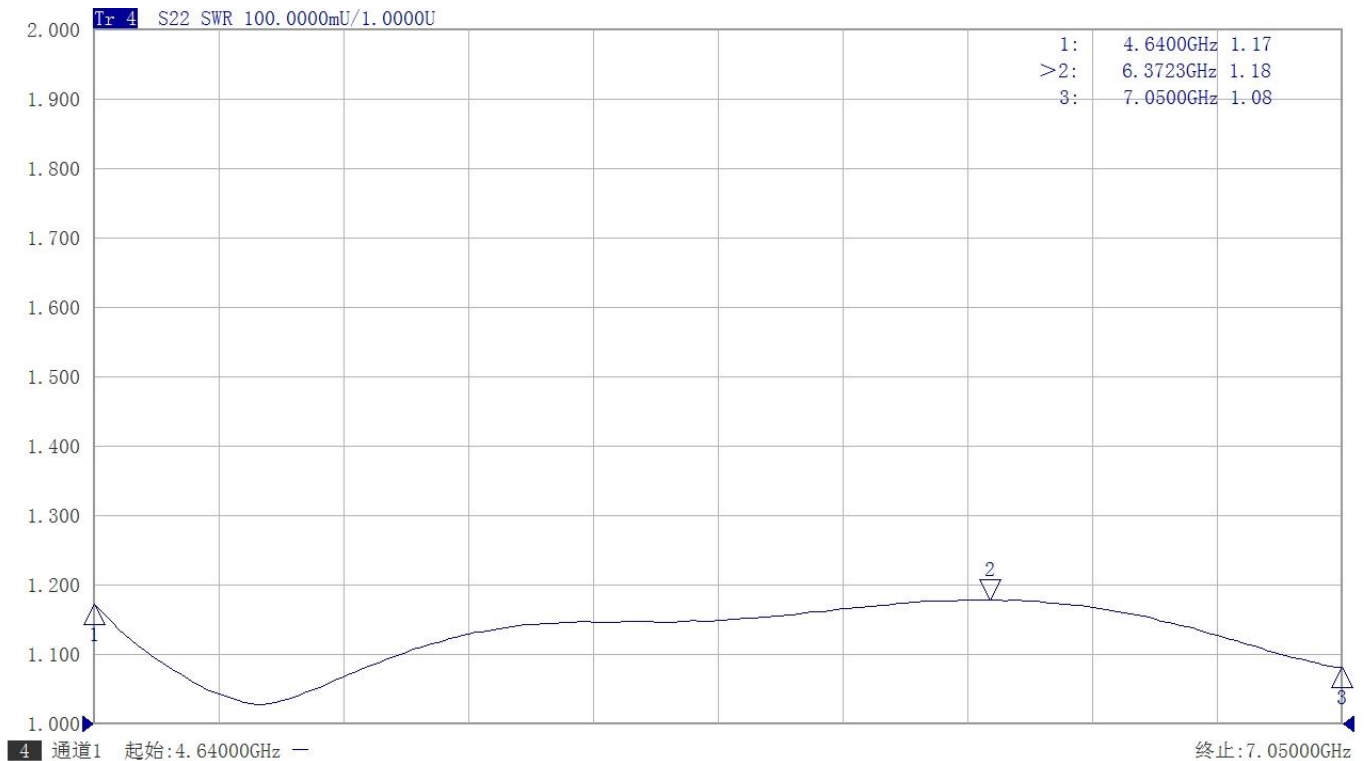
Materials

Waveguide Body	Aluminum, black or grey painted
Connector Body	Passivated stainless steel
Center Contact	Gold plated beryllium copper

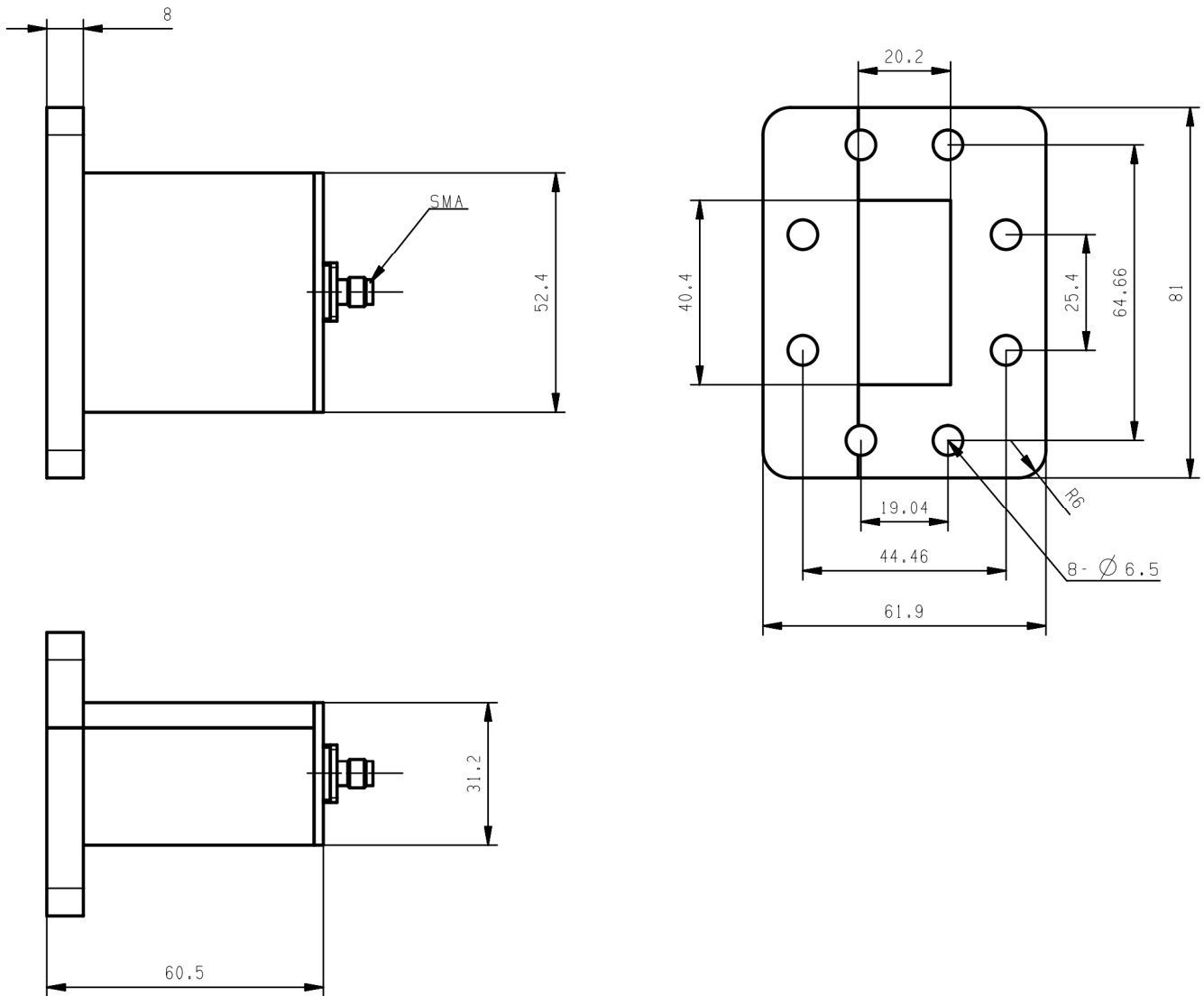
Mechanical & Environmental

Operating Temp	-40°C to 70°C
Connector Interface	MIL-STD-348
RoHS	Compliant

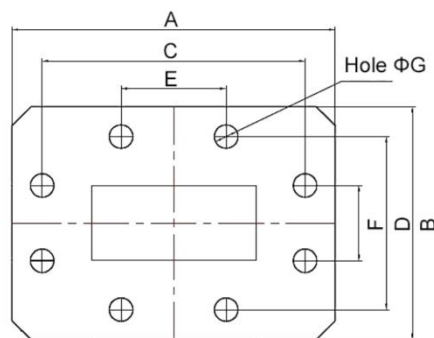
Typical Test Data



Dimensions(mm)



Flange Comparison (Unit mm)



WG SIZE	CONFORMING STANDARD	A	B	C	D	E	F	G
WR159	RF ONE:AWR159SMAEL	81	61.9	64.66	44.46	25.4	19.04	6.5
	IEC60154:UDR58	81	61.9	64.66	44.46	25.4	19.04	6.35
	USA:MIL3922/52-016(UG1731/U)	81	61.98	64.66	44.44	25.4	19.04	6.53
	USA:CPR 159F	80.95	61.91	64.66	44.46	25.4	19.04	6.53

* The purpose of this size comparison is to provide a quick overview of different flange standards.

* Great care has been given nevertheless there might be a few mistakes.

* Please check the flange compatibility before ordering. Customized flanges are available.