



## Waveguide to Coaxial Adapter **AWR187N**

**WR187 to N Female, Rectangular Cover Flange, Right Angle**

Rev 3

### Electrical

<b>Impedance</b>	50 ohm
<b>Frequency Range</b>	3.94-5.99 GHz
<b>VSWR</b>	1.2 max

### Configuration

<b>Waveguide Size</b>	IEC	48
	EIA	WR187
<b>Flange Type</b>	IEC	UDR48
	North America	Al alloy: M3922/52-014(UG1729/U) Cu alloy: M3922/52-013(UG1728/U) CPR187F
<b>Coax Connector</b>	N Female	
<b>Body Geometry</b>	Right Angle	

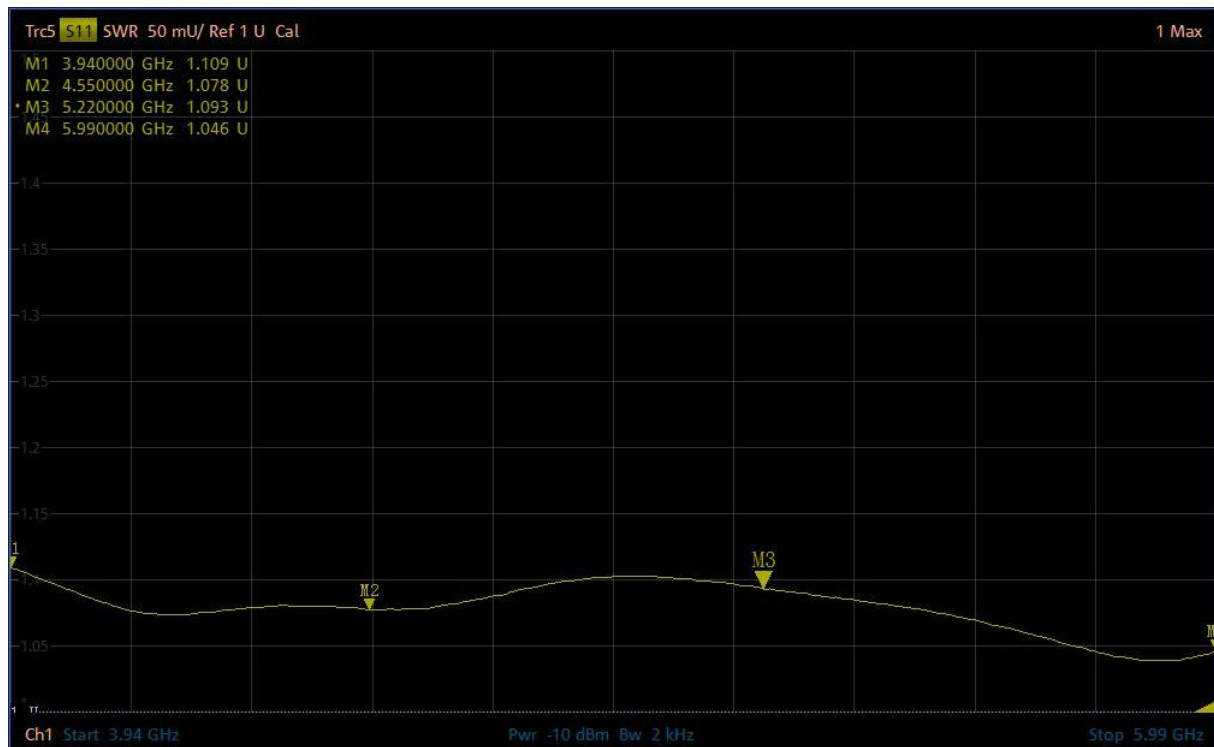
### Materials

<b>Waveguide Body</b>	Aluminum, black or grey painted
<b>Connector Body</b>	Passivated stainless steel
<b>Center Contact</b>	Gold plated beryllium copper

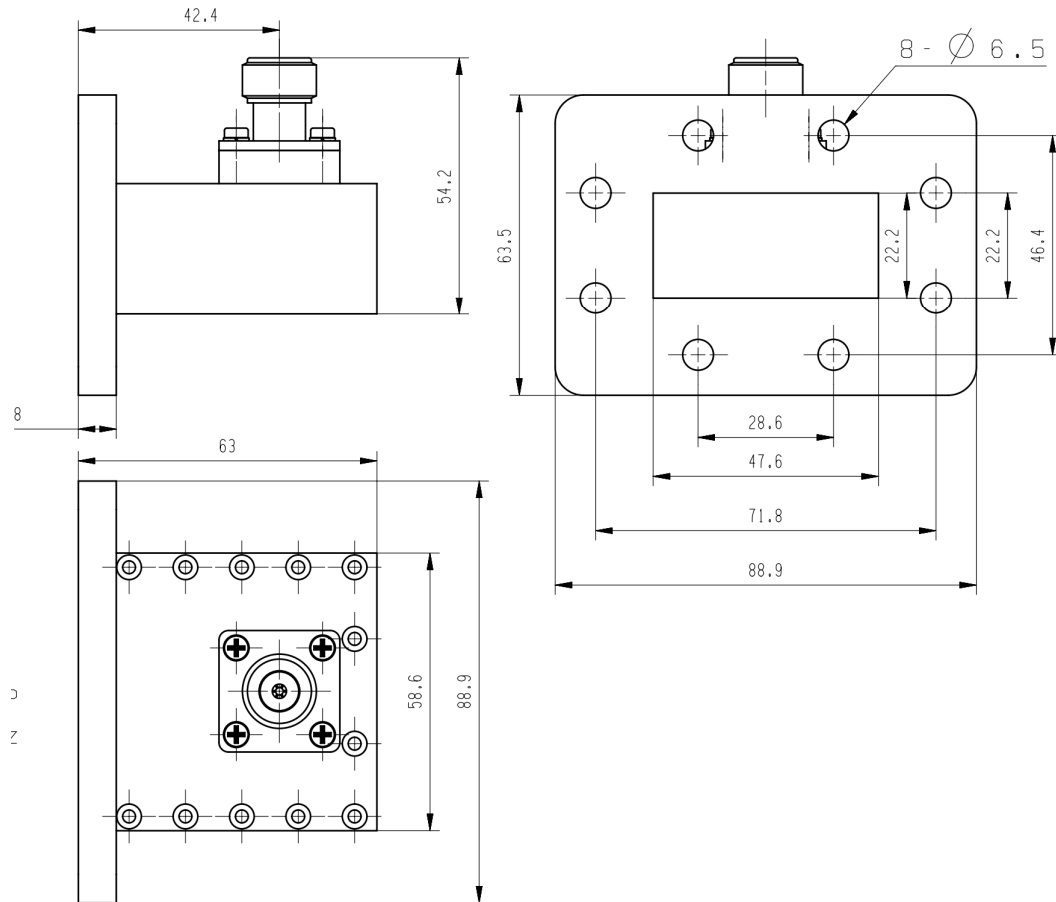
### Mechanical & Environmental

<b>Operating Temp</b>	-40°C to 70°C
<b>Connector Interface</b>	MIL-STD-348
<b>RoHS</b>	Compliant

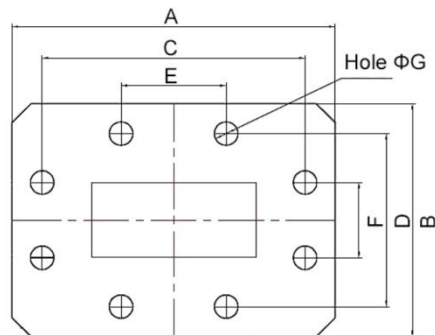
### Typical Test Data



## Dimensions(mm)



## Flange Comparison (Unit mm)



WG SIZE	CONFORMING STANDARD	A	B	C	D	E	F	G
WR187	RF ONE:AWR187N	88.9	63.5	71.8	46.4	28.6	22.2	6.5
	IEC60154:UDR48	88.90	63.50	71.84	46.44	28.60	22.24	6.35
	USA:M3922/52-014(UG1729/U)	88.90	63.50	71.84	46.44	28.60	22.24	6.53
	USA:CPR 187F	88.90	63.50	71.84	46.44	28.58	22.22	6.55

\* The purpose of this size comparison is to provide a quick overview of different flange standards.

\* Great care has been given nevertheless there might be a few mistakes.

\* Please check the flange compatibility before ordering. Customized flanges are available.