

Waveguide to Coaxial Adapter **AWR229N**



WR229 to N Female, Rectangular Cover Flange, Right Angle

Rev 3

Electrical

Impedance	50 ohm
Frequency Range	3.22-4.9 GHz
VSWR	1.2 max

Configuration

Waveguide Size	IEC	40
	EIA	WR229
Flange Type	IEC	UDR40
	North America	Al alloy: M3922/52-012(UG1727/U) Cu alloy: M3922/52-011(UG1726/U) CPR229F
Coax Connector	N Female	
Body Geometry	Right Angle	

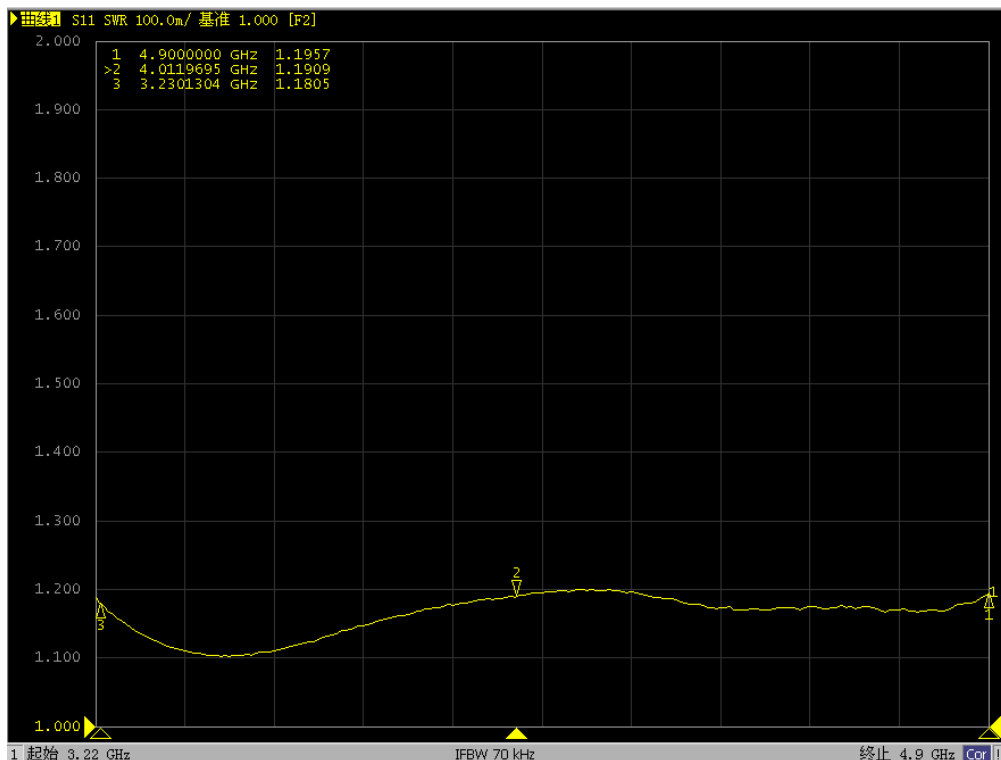
Materials

Waveguide Body	Aluminum, black or grey painted
Connector Body	Passivated stainless steel
Center Contact	Gold plated beryllium copper

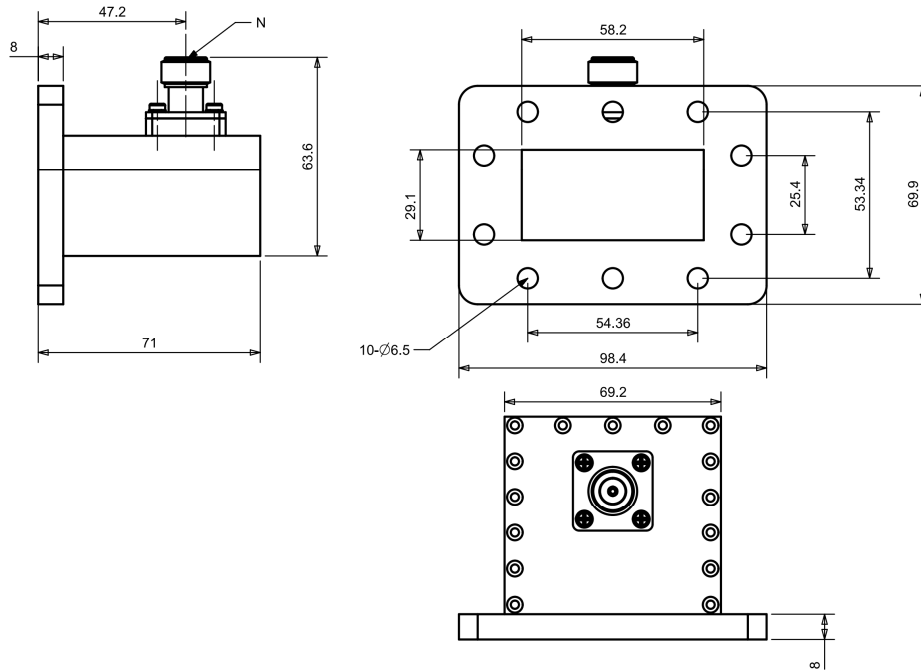
Mechanical & Environmental

Operating Temp	-40°C to 70°C
Connector Interface	MIL-STD-348
RoHS	Compliant

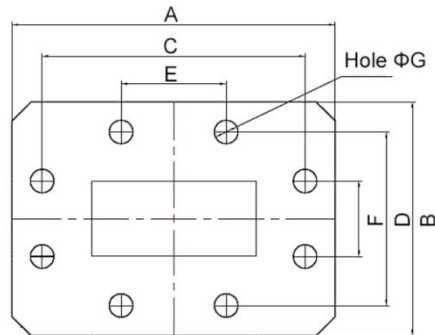
Typical Test Data



Dimensions(mm)



Flange Comparison (Unit mm)



WG SIZE	CONFORMING STANDARD	A	B	C	D	E	F	G
WR229	RF ONE:AWR229N	98.4	69.9	82.3	53.34	54.36	25.4	6.5
	IEC60154:UDR40	98.40	69.90	82.30	53.34	54.36	25.40	6.35
	USA:M3922/52-012(UG1727/U)	98.55	69.85	82.30	53.34	54.36	25.40	6.53
	USA:CPR 229F	98.43	69.85	82.30	53.34	54.36	25.40	6.58

* The purpose of this size comparison is to provide a quick overview of different flange standards.

* Great care has been given nevertheless there might be a few mistakes.

* Please check the flange compatibility before ordering. Customized flanges are available.