



Waveguide to Coaxial Adapter **AWR28292EL**

WR28 to 2.92mm Female, Square Cover Flange, End-launch

Rev 4

Electrical

Frequency Range	26.3-40 GHz
VSWR	1.2 max

Configuration

Waveguide Size	IEC	320
	EIA	WR28
Flange Type	IEC	UBR320
	North America	M3922/54-003(UG599/U)
Coax Connector	2.92mm Female	
Body Geometry	End-launch	

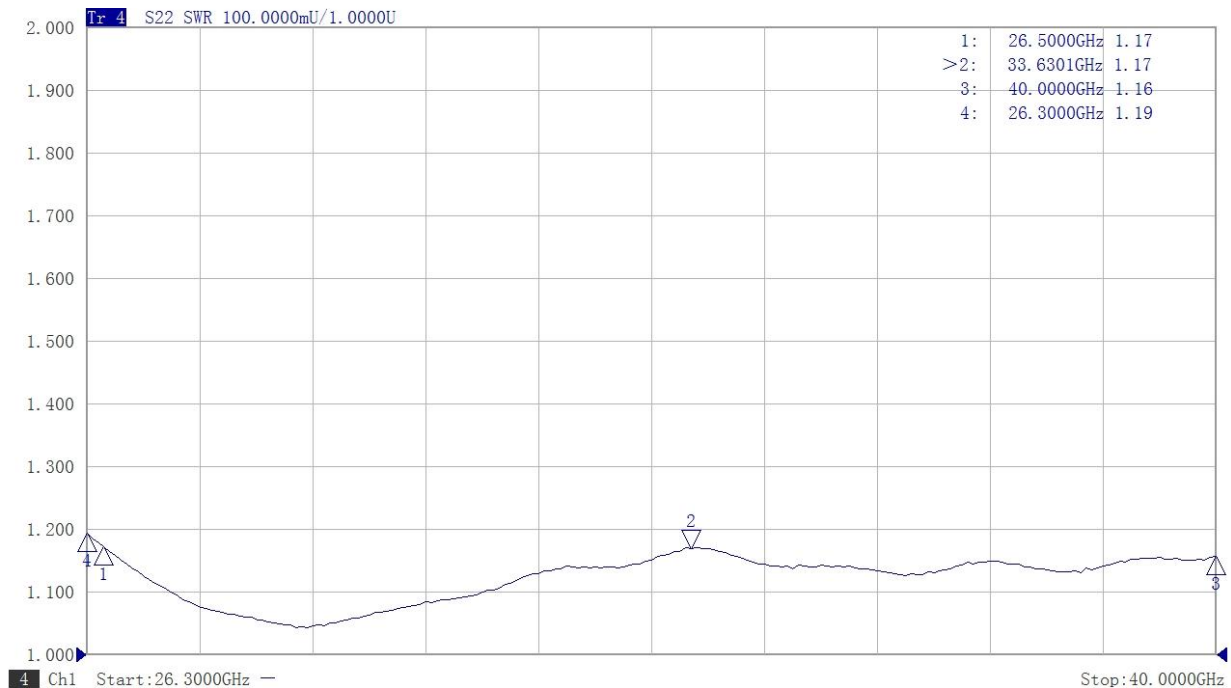
Materials

Waveguide Body	Copper, black or grey painted
Connector Body	Passivated stainless steel
Center Contact	Gold plated beryllium copper

Mechanical & Environmental

Operating Temp	-40°C to 70°C
Connector Interface	MIL-STD-348
RoHS	Compliant

Typical Test Data



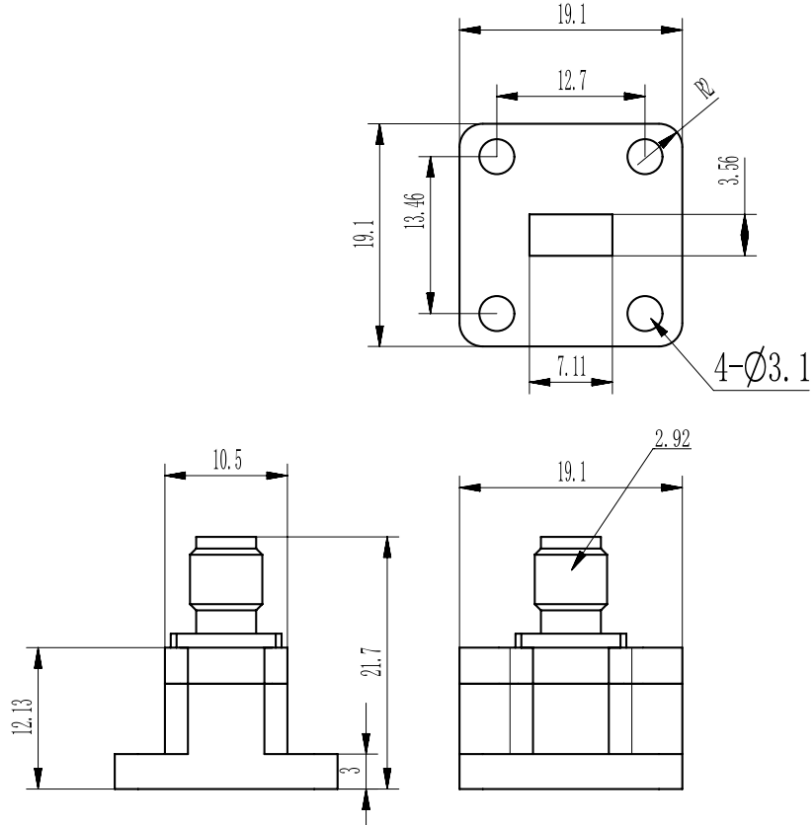


Waveguide to Coaxial Adapter **AWR28292EL**

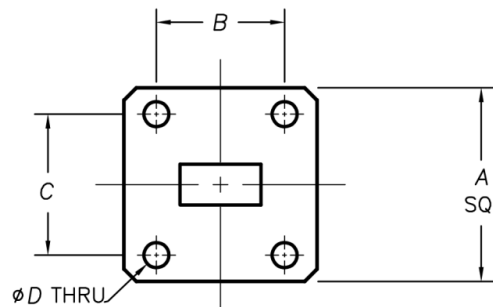
WR28 to 2.92mm Female, Square Cover Flange, End-launch

Rev 4

Dimensions(mm)



Flange Comparison (Unit mm)



WG SIZE	CONFORMING STANDARD	A	B	C	D
WR28	RF ONE:AWR28292EL	19.1	12.7	13.46	3.1
	IEC60154:UBR320	19.10	12.70	13.46	3.00
	USA:MIL3922/54-003(UG599/U)	19.05	12.70	13.46	2.95

* The purpose of this size comparison is to provide a quick overview of different flange standards.

* Great care has been given nevertheless there might be a few mistakes.

* Please check the flange compatibility before ordering. Customized flanges are available.