

Waveguide to Coaxial Adapter **AWR284SMA**

WR284 to SMA Female, Rectangular Cover Flange, Right Angle



Rev 3

Electrical

| | |
|------------------------|--------------|
| Impedance | 50 ohm |
| Frequency Range | 2.6-3.95 GHz |
| VSWR | 1.2 max |

Configuration

| | | |
|-----------------------|---------------|---|
| Waveguide Size | IEC | 32 |
| | EIA | WR284 |
| Flange Type | IEC | UDR32 |
| | North America | Al alloy: M3922/52-010(UG1725/U) Cu alloy: M3922/52-009(UG1724/U) CPR284F |
| Coax Connector | SMA Female | |
| Body Geometry | Right Angle | |

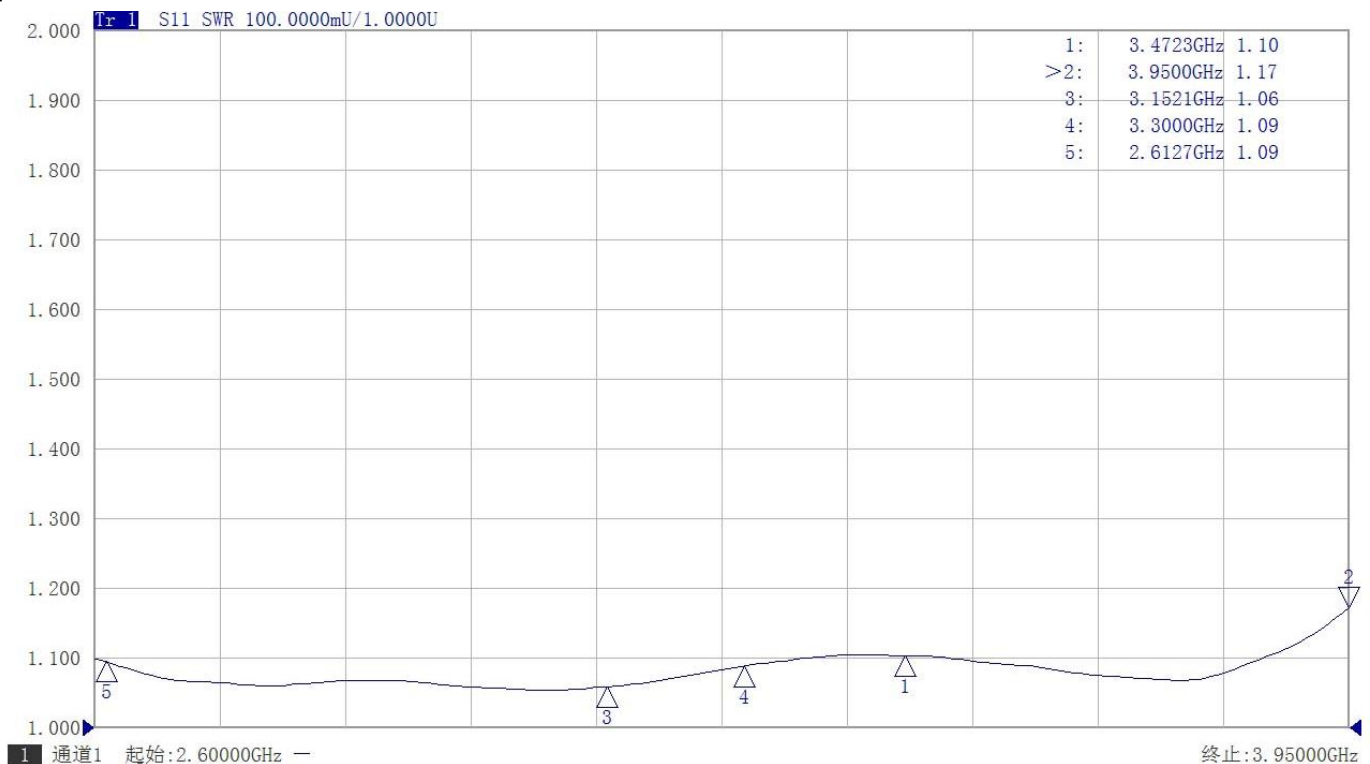
Materials

| | |
|-----------------------|---------------------------------|
| Waveguide Body | Aluminum, black or grey painted |
| Connector Body | Passivated stainless steel |
| Center Contact | Gold plated beryllium copper |

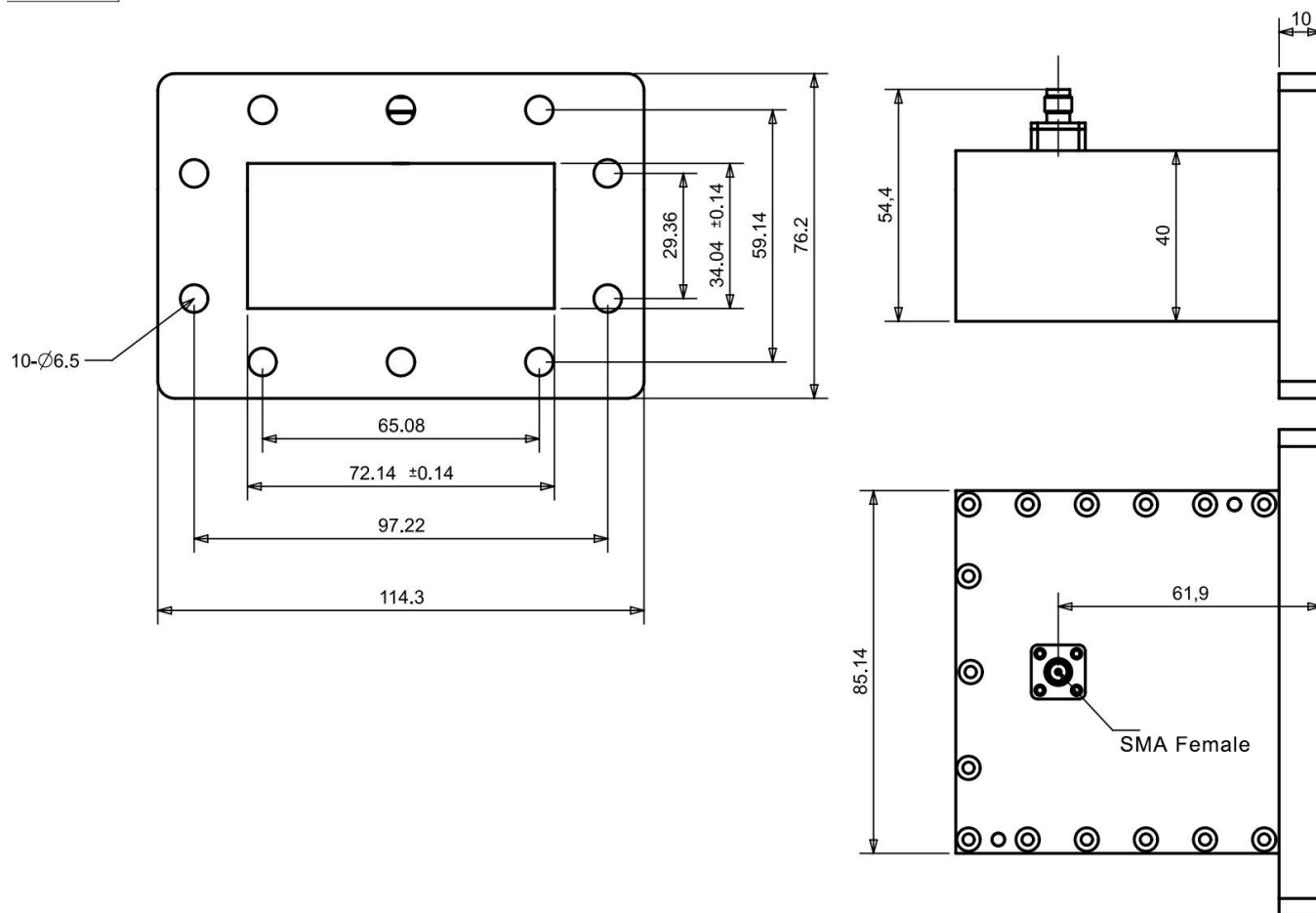
Mechanical & Environmental

| | |
|----------------------------|---------------|
| Operating Temp | -40°C to 70°C |
| Connector Interface | MIL-STD-348 |
| RoHS | Compliant |

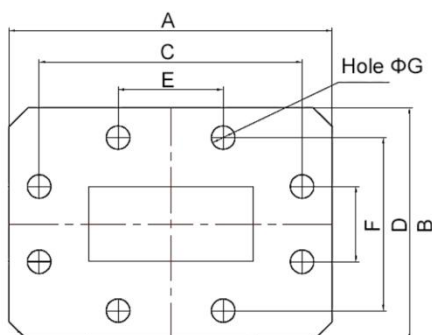
Typical Test Data



Dimensions(mm)



Flange Comparison (Unit mm)



| WG SIZE | CONFORMING STANDARD | A | B | C | D | E | F | G |
|---------|----------------------------|--------|-------|-------|-------|-------|-------|------|
| WR284 | RF ONE:AWR284SMA | 114.3 | 76.2 | 97.22 | 59.14 | 65.08 | 29.36 | 6.5 |
| | IEC60154:UDR32 | 114.30 | 76.20 | 97.22 | 59.14 | 65.08 | 29.36 | 6.35 |
| | USA:M3922/52-010(UG1725/U) | 114.30 | 76.20 | 97.24 | 59.14 | 65.08 | 29.36 | 6.53 |
| | USA:CPR 284F | 114.30 | 76.20 | 97.24 | 59.14 | 65.06 | 29.36 | 6.55 |

* The purpose of this size comparison is to provide a quick overview of different flange standards.

* Great care has been given nevertheless there might be a few mistakes.

* Please check the flange compatibility before ordering. Customized flanges are available.