



## Waveguide to Coaxial Adapter **AWR340SMA**

**WR340 to SMA Female, Rectangular Cover Flange, Right Angle**

Rev 3

### Electrical

<b>Impedance</b>	50 ohm
<b>Frequency Range</b>	2.17-3.3 GHz
<b>VSWR</b>	1.2 max

### Configuration

<b>Waveguide Size</b>	IEC	26
	EIA	WR340
<b>Flange Type</b>	IEC	UDR26
	North America	Al alloy: M3922/52-008(UG1713/U) Cu alloy: M3922/52-007(UG1712/U) CPR340F
<b>Coax Connector</b>	SMA Female	
<b>Body Geometry</b>	Right Angle	

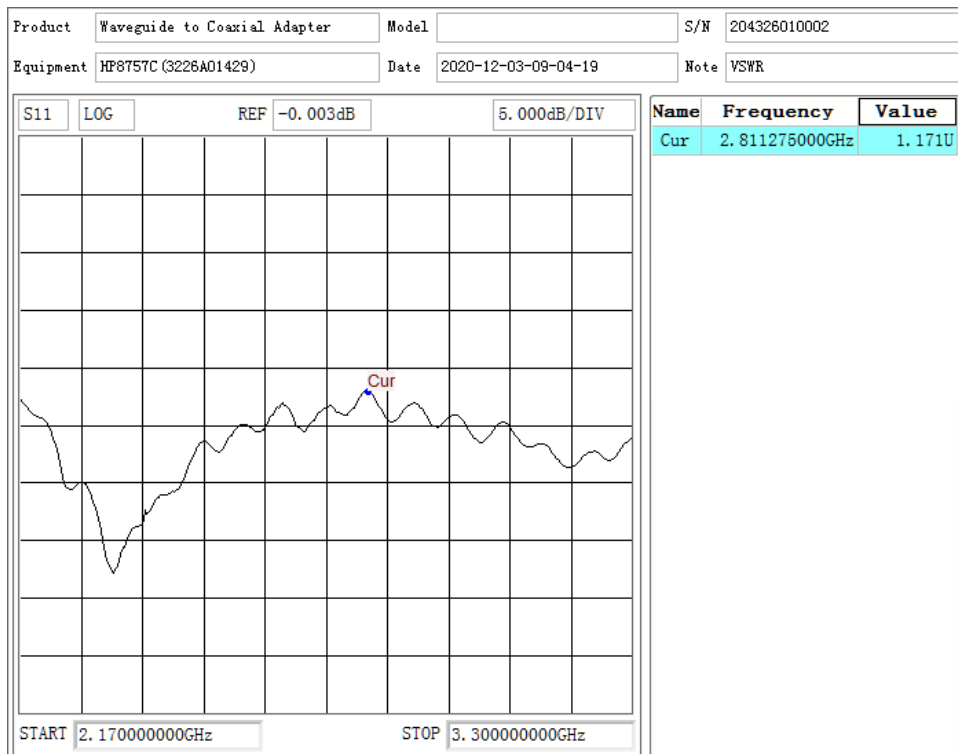
### Materials

<b>Waveguide Body</b>	Aluminum, black or grey painted
<b>Connector Body</b>	Passivated stainless steel
<b>Center Contact</b>	Gold plated beryllium copper

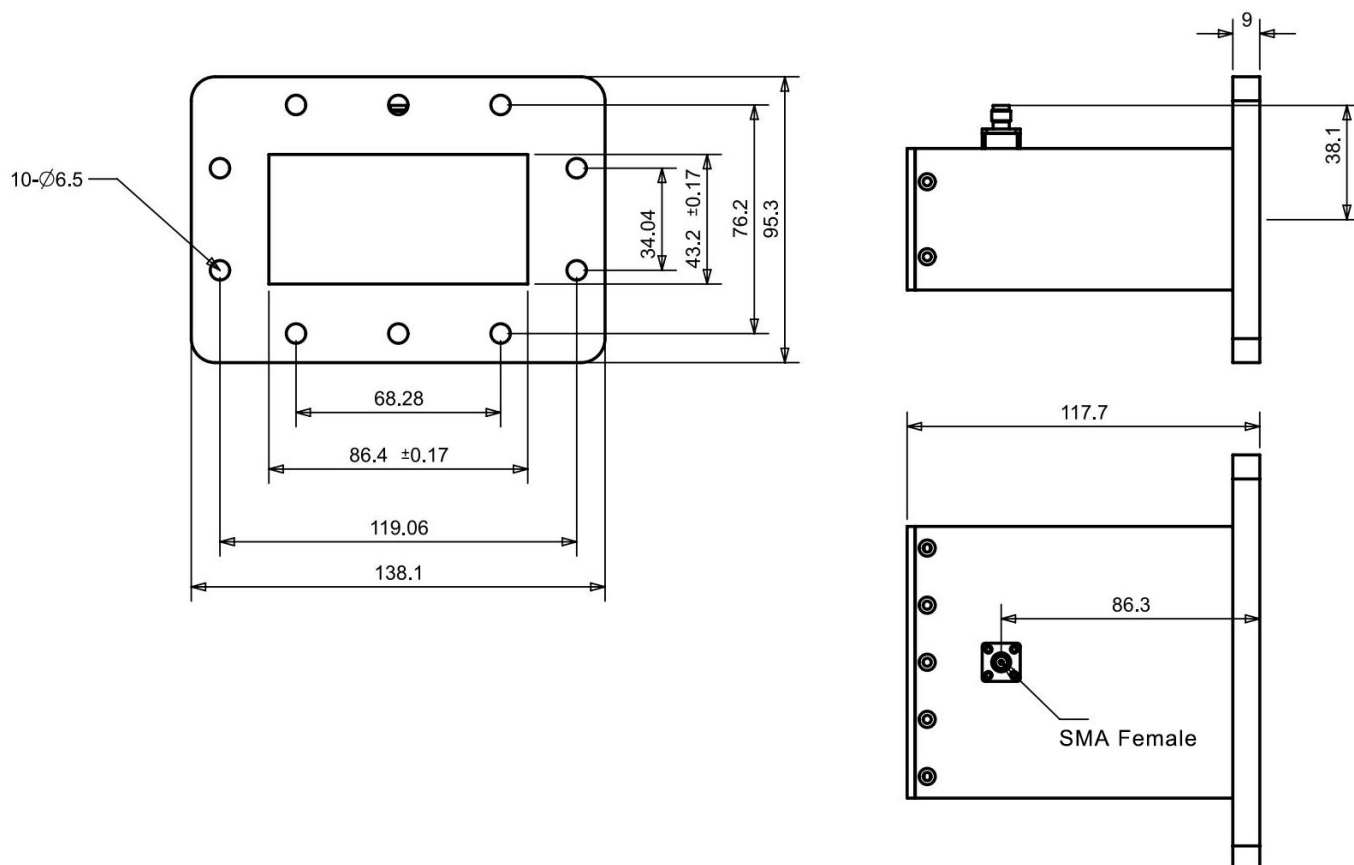
### Mechanical & Environmental

<b>Operating Temp</b>	-40°C to 70°C
<b>Connector Interface</b>	MIL-STD-348
<b>RoHS</b>	Compliant

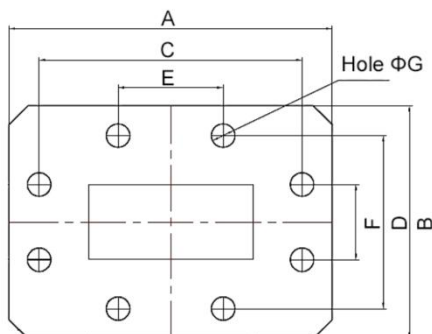
### Typical Test Data



## Dimensions(mm)



## Flange Comparison (Unit mm)



WG SIZE	CONFORMING STANDARD	A	B	C	D	E	F	G
WR340	RF ONE:AWR340SMA	138.1	95.3	119.06	76.20	68.28	34.08	6.5
	IEC60154:UDR70	138.10	95.30	119.06	76.20	68.28	34.08	6.35
	USA:MIL3922/52-008(UG1713/U)	138.18	95.25	119.08	76.20	68.28	34.08	6.76
	USA:CPR 340F	138.10	95.25	119.08	76.20	68.28	34.08	6.76

\* The purpose of this size comparison is to provide a quick overview of different flange standards.

\* Great care has been given nevertheless there might be a few mistakes.

\* Please check the flange compatibility before ordering. Customized flanges are available.