



**WR34 to 2.92mm Male Waveguide to Coaxial Adapter  
UBR260 Flange, Right Angle**

Rev 5

**Electrical**

Frequency Range	21.7-33 GHz
VSWR	1.2 max

**Configuration**

Waveguide Size	IEC	260
	EIA	WR34
Flange	UBR260	
Coax Connector	2.92mm Female	
Body Geometry	Right Angle	

**Mechanical & Environmental**

Waveguide Body	Cu, acid pickling and passivation, anti-corrosive paint
Connector Body	Passivated stainless steel
Center Contact	Gold plated brass
Operating Temperature	-40°C to +85°C
Connector Interface	MIL-STD-348
RoHS	Compliant under exemptions 6 (b) or 6 (c)
Net Weight	Approx 55g

**Note**

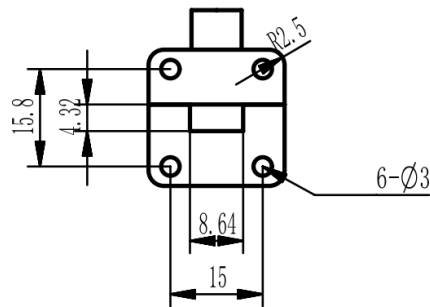
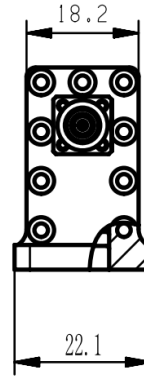
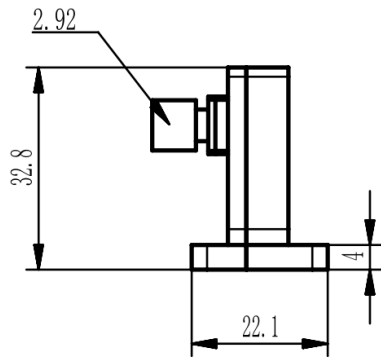
\* Paint in grey or black by default, other colors available.

WR34 to 2.92mm Male Waveguide to Coaxial Adapter  
UBR260 Flange, Right Angle



Rev 5

Dimensions(mm)

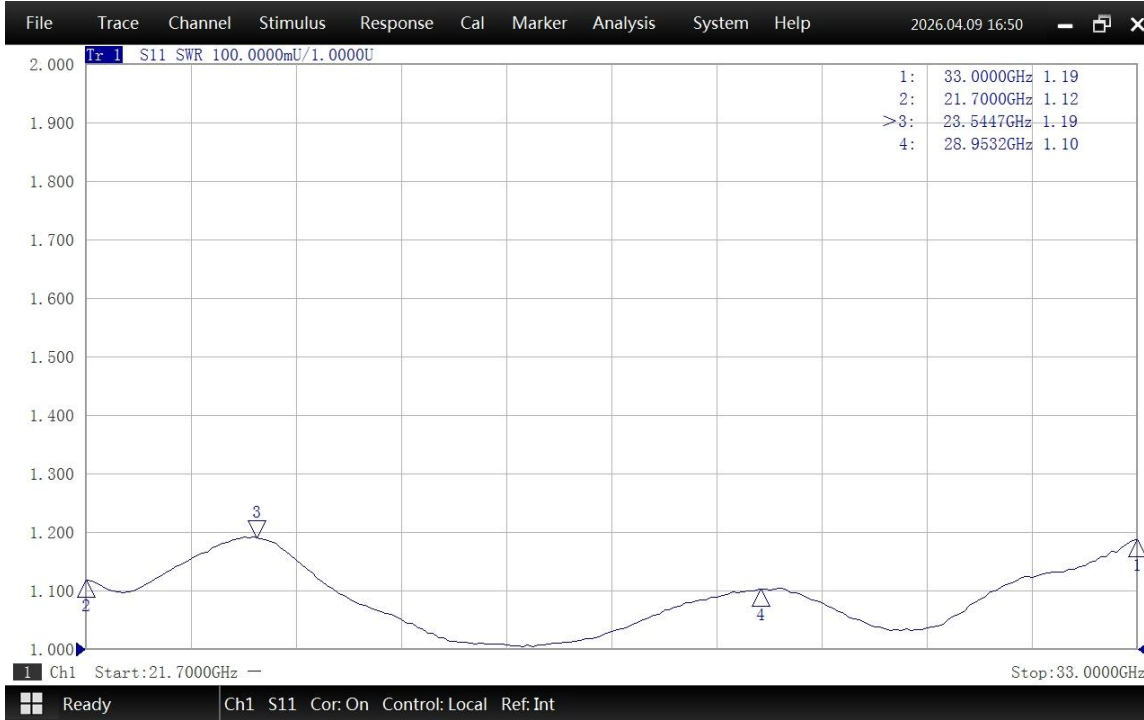




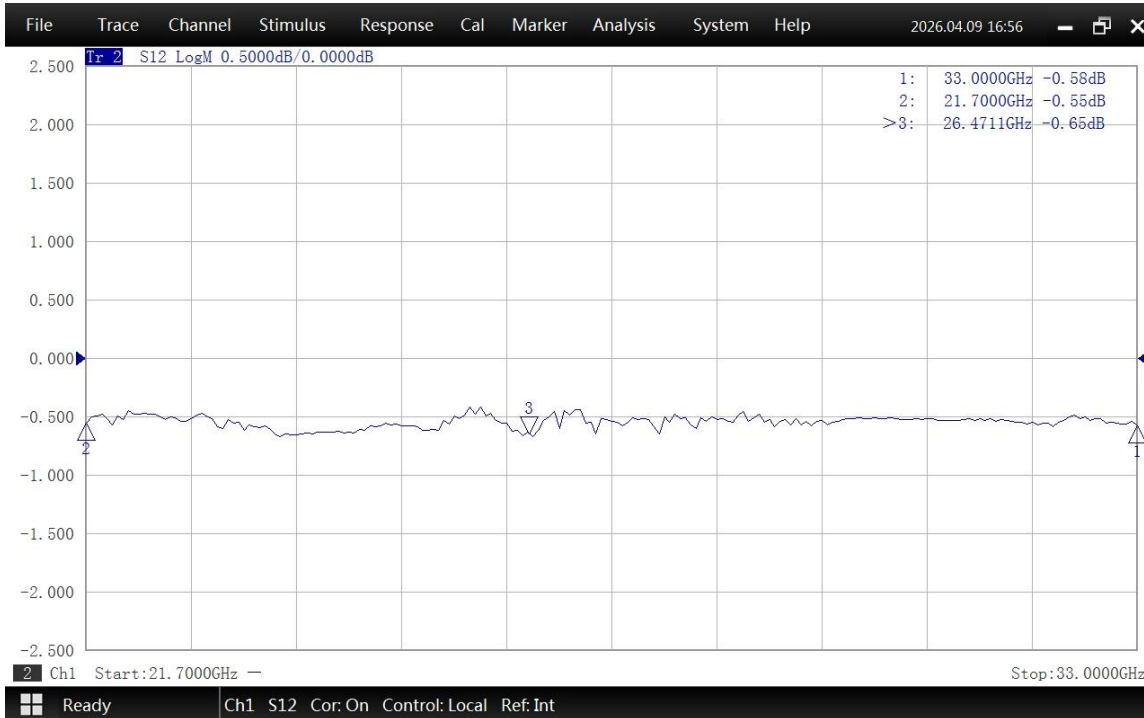
**WR34 to 2.92mm Male Waveguide to Coaxial Adapter  
UBR260 Flange, Right Angle**

Rev 5

**Typical Test Data at 25°C**



VSWR



Insertion Loss\*

\* In Insertion Loss (IL) testing, adapters are measured back-to-back. To obtain the loss of a single adapter, divide the measured value by two.