



**WR42 to 2.92mm Female Waveguide to Coaxial Adapter  
UG595/U Flange, Right Angle**

Rev 5

**Electrical**

Frequency Range	17.6-26.7 GHz
VSWR	1.2 max

**Configuration**

Waveguide Size	IEC	R220
	EIA	WR42
Flange	UG595/U	
Coax Connector	2.92mm Female	
Body Geometry	Right Angle	

**Mechanical & Environmental**

Waveguide Body	Cu, acid pickling and passivation, anti-corrosive paint
Connector Body	Passivated stainless steel
Center Contact	Gold plated beryllium copper
Operating Temperature	-40°C to +85°C
Connector Interface	MIL-STD-348
RoHS	Compliant under exemptions 6 (b) or 6 (c)
Net Weight	Approx 60g

**Note**

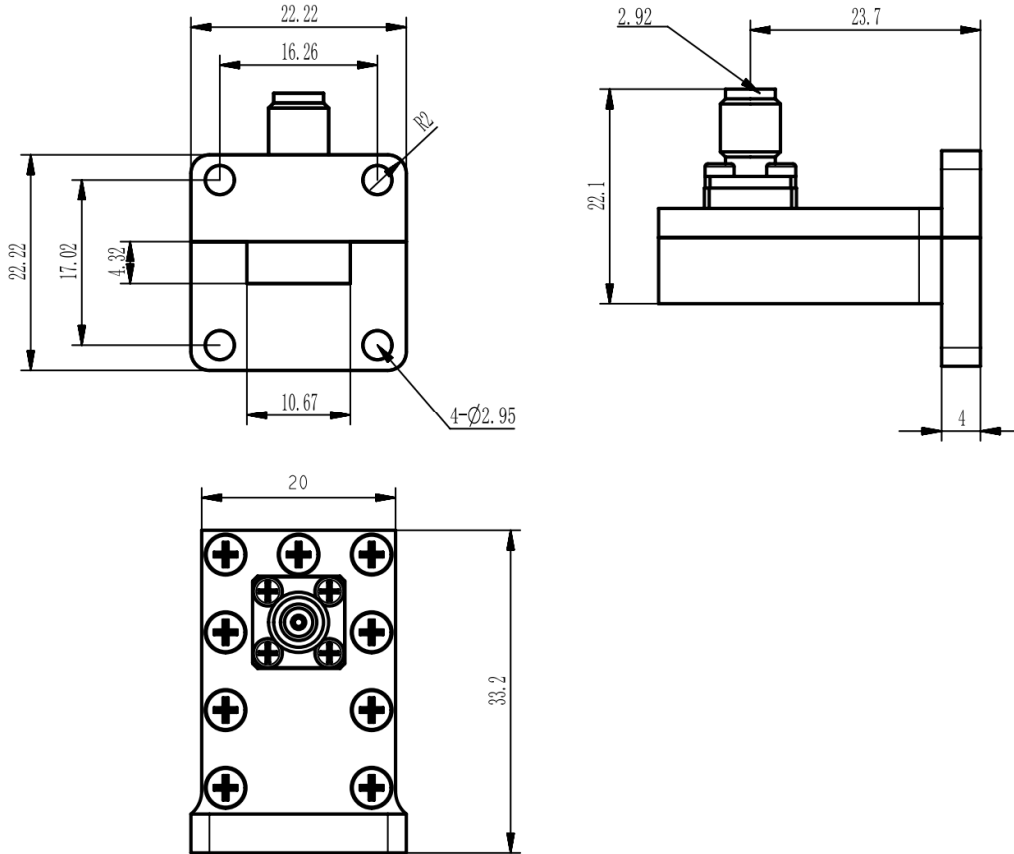
\* Paint in grey or black by default, other colors available.

**WR42 to 2.92mm Female Waveguide to Coaxial Adapter  
UG595/U Flange, Right Angle**



Rev 5

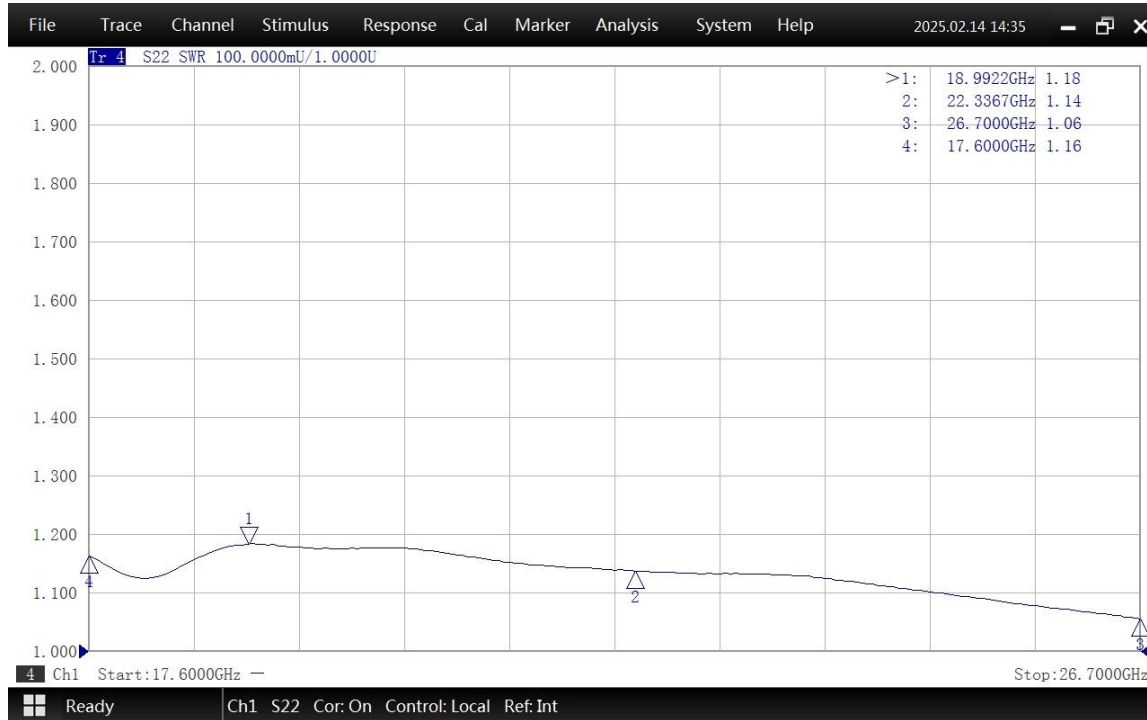
**Dimensions(mm)**



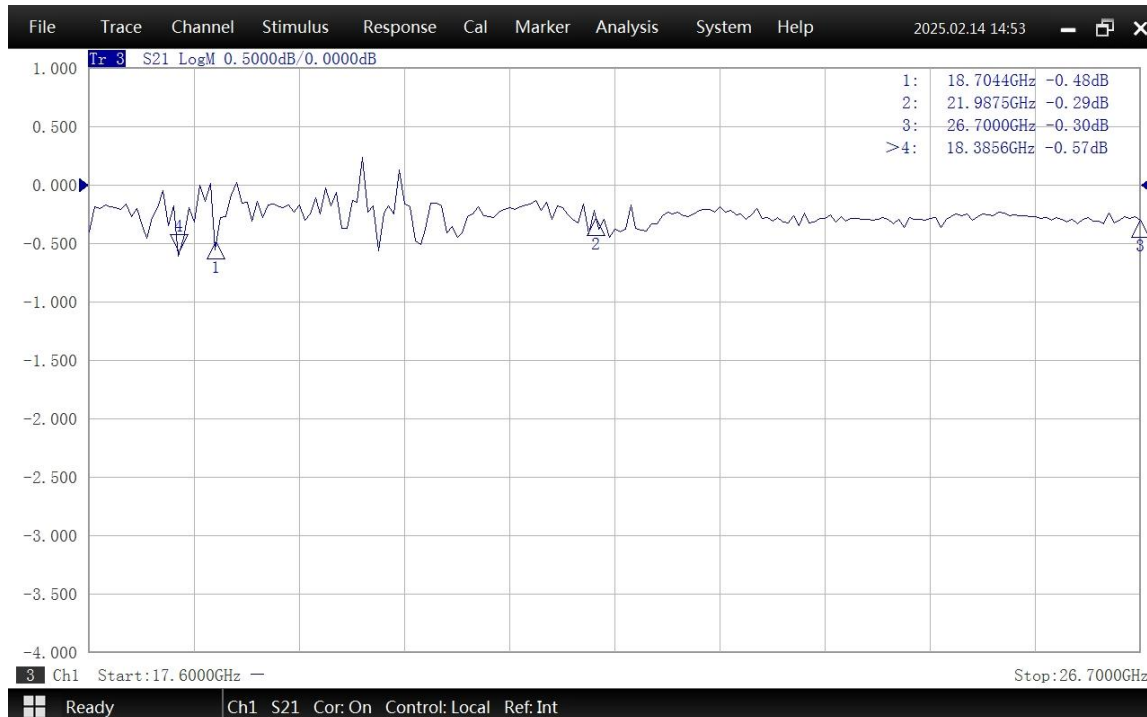


**WR42 to 2.92mm Female Waveguide to Coaxial Adapter  
UG595/U Flange, Right Angle**

**Typical Test Data at 25°C**



VSWR



Insertion Loss\*

\* In Insertion Loss (IL) testing, adapters are measured back-to-back. To obtain the loss of a single adapter, divide the measured value by two.