



Waveguide to Coaxial Adapter **AWR42SMA**

WR42 to SMA Female, Square Cover Flange, Right Angle

Rev 3

Electrical

Impedance	50 ohm
Frequency Range	17.6-26.7 GHz
VSWR	1.2 max

Configuration

Waveguide Size	IEC	220
	EIA	WR42
Flange Type	IEC	UBR220
	North America	Al alloy :M3922/54-002(UG597/U) Cu alloy:M3922/54-001(UG595/U)
Coax Connector	SMA Female	
Body Geometry	Right Angle	

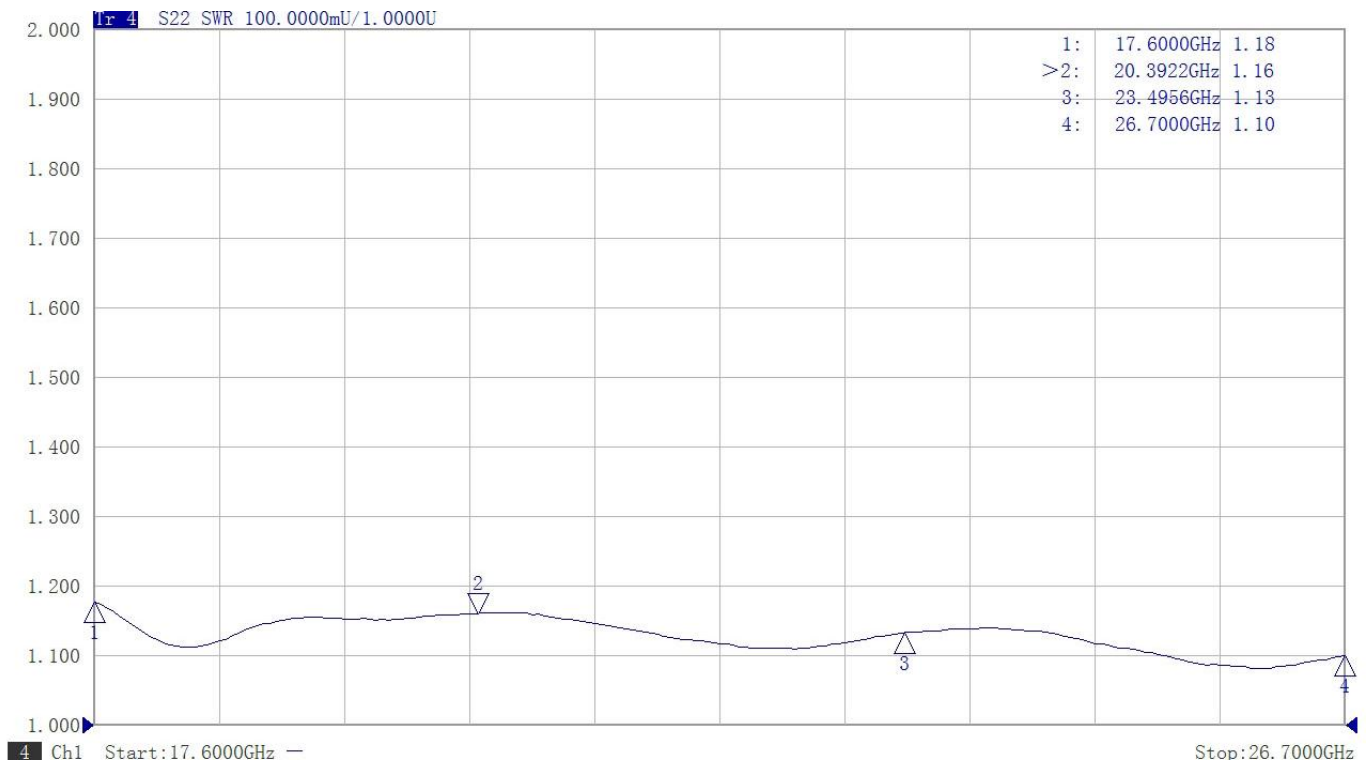
Materials

Waveguide Body	Copper, black or grey painted
Connector Body	Passivated stainless steel
Center Contact	Gold plated beryllium copper

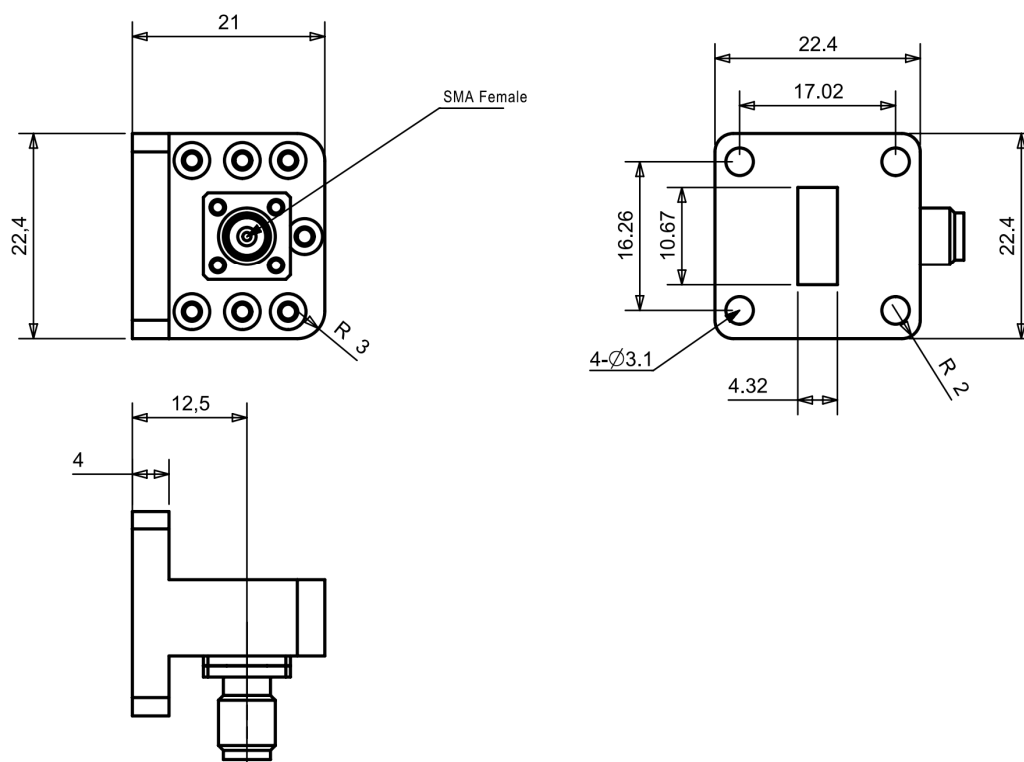
Mechanical & Environmental

Operating Temp	-40°C to 70°C
Connector Interface	MIL-STD-348
RoHS	Compliant

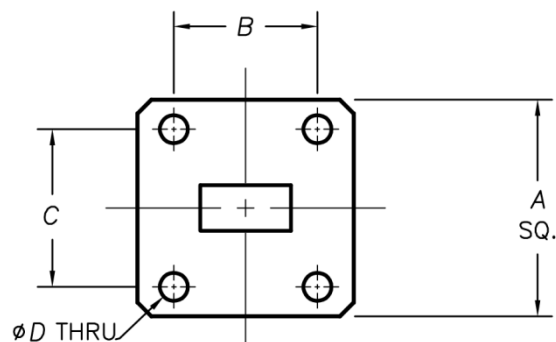
Typical Test Data



Dimensions(mm)



Flange Comparison (Unit mm)



WG SIZE	CONFORMING STANDARD	A	B	C	D
WR42	RF ONE:AWR42SMA	22.4	16.26	17.02	3.1
	IEC60154:UBR220	22.4	16.26	17.02	3.00
	USA:MIL3922/54-001(UG595/U)	22.22	16.26	17.02	2.95

* The purpose of this size comparison is to provide a quick overview of different flange standards.

* Great care has been given nevertheless there might be a few mistakes.

* Please check the flange compatibility before ordering. Customized flanges are available.