

# Waveguide to Coaxial Adapter **AWR430N**

## WR430 to N Female, Rectangular Cover Flange, Right Angle

Rev 3

### Electrical

<b>Impedance</b>	50 ohm
<b>Frequency Range</b>	1.72-2.61 GHz
<b>VSWR</b>	1.2 max

### Configuration

<b>Waveguide Size</b>	IEC	22
	EIA	WR430
<b>Flange Type</b>	IEC	UDR22
	North America	Al alloy: M3922/52-006(UG1711/U) Cu alloy: M3922/52-005(UG1716/U) CPR430F
<b>Coax Connector</b>	N Female	
<b>Body Geometry</b>	Right Angle	

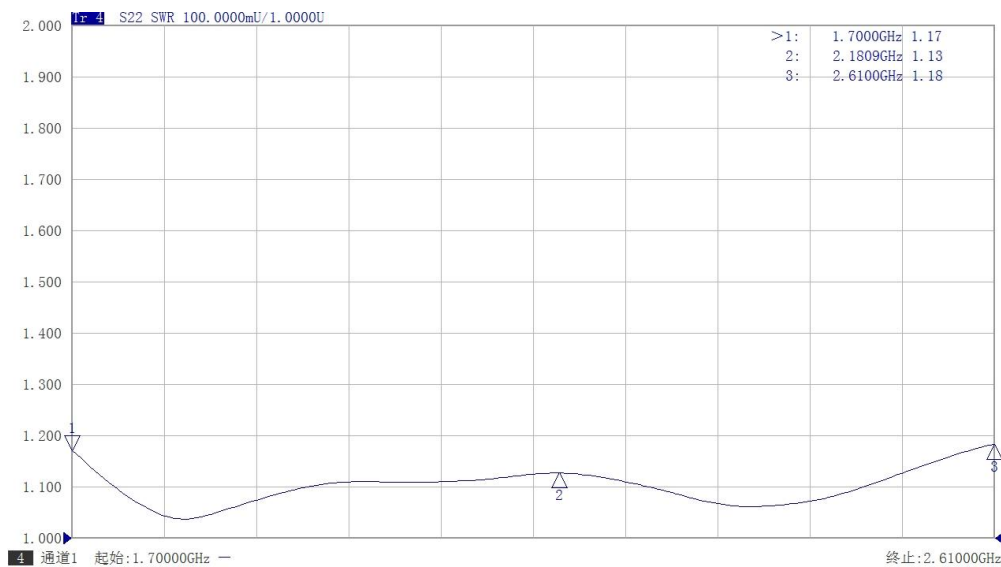
### Materials

<b>Waveguide Body</b>	Aluminum, black or grey painted
<b>Connector Body</b>	Passivated stainless steel
<b>Center Contact</b>	Gold plated beryllium copper

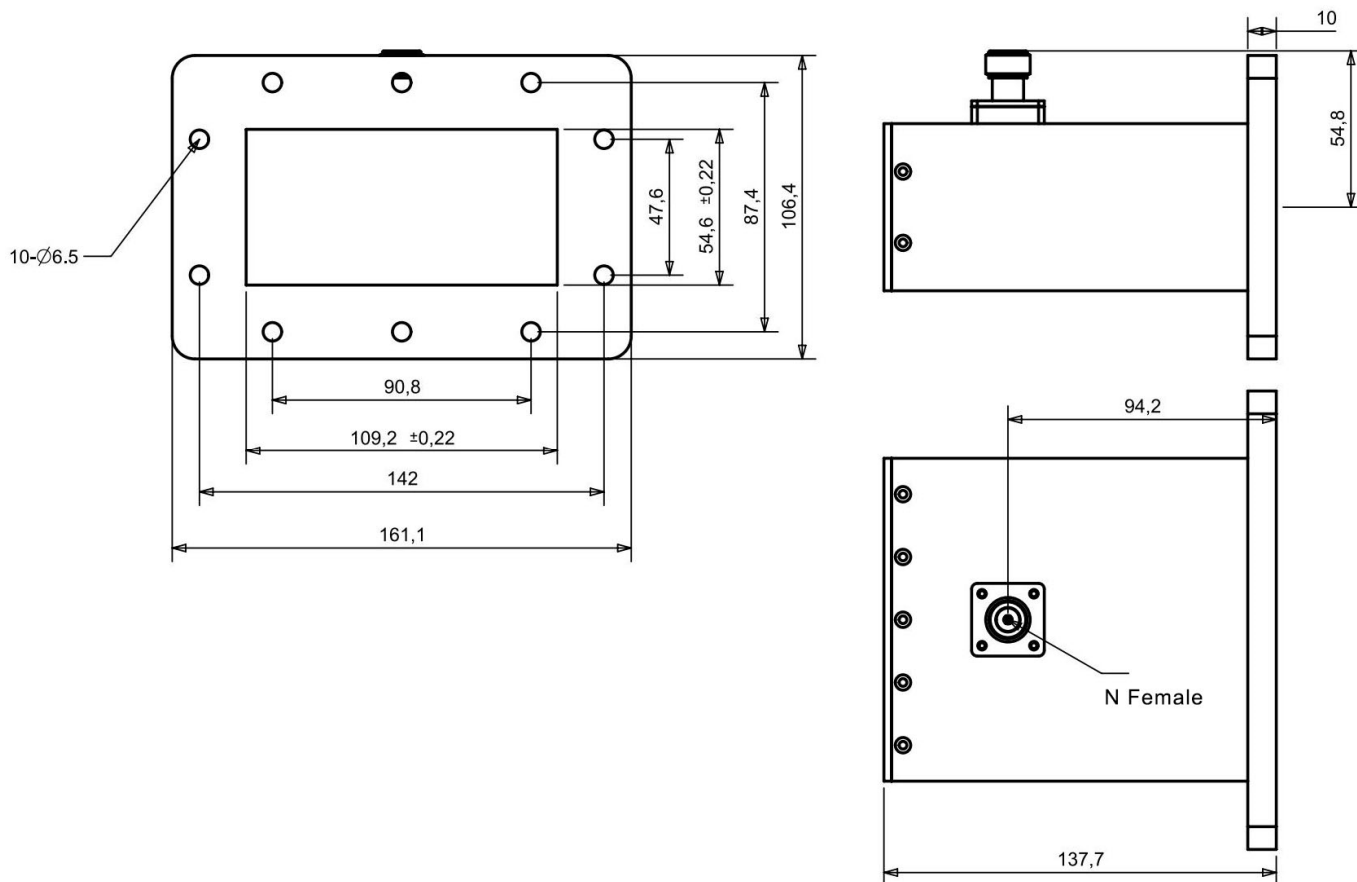
### Mechanical & Environmental

<b>Operating Temp</b>	-40°C to 70°C
<b>Connector Interface</b>	MIL-STD-348
<b>RoHS</b>	Compliant

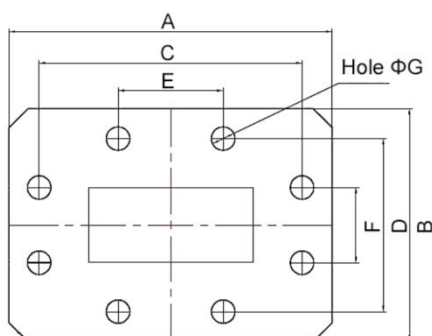
### Typical Test Data



## Dimensions(mm)



## Flange Comparison (Unit mm)



WG SIZE	CONFORMING STANDARD	A	B	C	D	E	F	G
WR430	RF ONE:AWR430N	161.1	106.4	141.98	87.38	90.78	47.64	6.5
	IEC60154:UDR22	161.10	106.40	141.98	87.38	90.78	47.64	6.35
	USA:MIL3922/52-006(UG1711/U)	161.04	106.43	142.00	87.38	90.78	47.64	6.76
	USA:CPR 430F	161.14	106.35	141.98	87.38	90.78	47.66	6.76

\* The purpose of this size comparison is to provide a quick overview of different flange standards.

\* Great care has been given nevertheless there might be a few mistakes.

\* Please check the flange compatibility before ordering. Customized flanges are available.