



**WR62 to SMA Male Waveguide to Coaxial Adapter  
UBR140 Flange, Right Angle**

Rev 5

**Electrical**

Frequency Range	11.9-18 GHz
VSWR	1.2 max

**Configuration**

Waveguide Size	IEC	R140
	EIA	WR62
Flange	IEC	UBR140
	North America	Al alloy :M3922/53-006(UG1665/U) Cu alloy:M3922/53-005(UG419/U)
Coax Connector	SMA Male	
Body Geometry	Right Angle	

**Mechanical & Environmental**

Waveguide Body	Aluminum, conductive oxidation, anti-corrosive paint
Connector Body	Passivated stainless steel
Center Contact	Gold plated brass
Operating Temperature	-40°C to +85°C
Connector Interface	MIL-STD-348
RoHS	Compliant under exemptions 6 (b) or 6 (c)
Net Weight	Approx 25g

**Note**

\* Flange size may not be 100% identical with the above listed standards, but are compatible. Refer to the next page for comparison table.

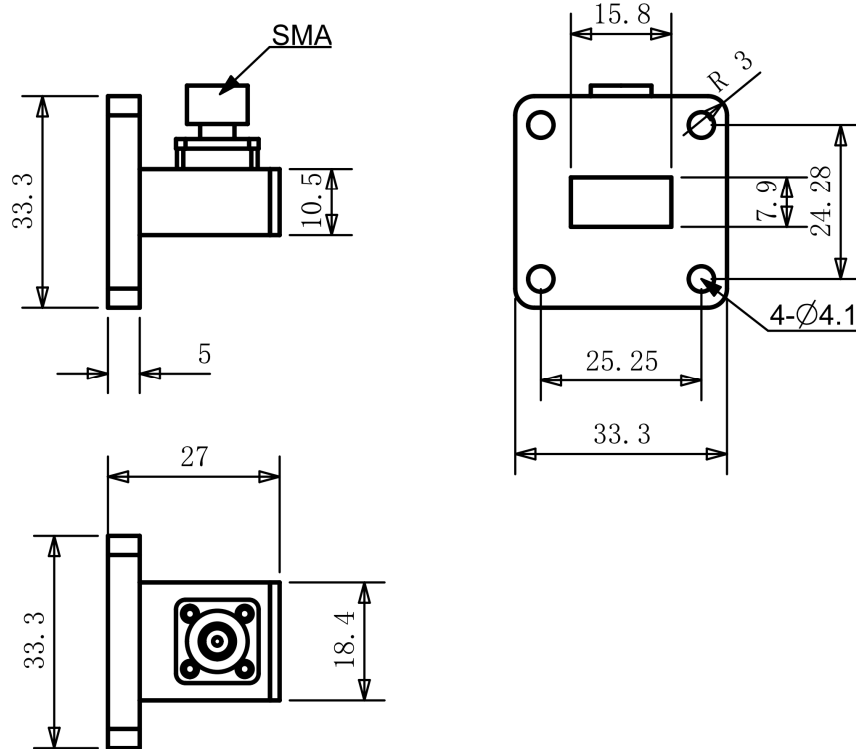
\* Paint in grey or black by default, other colors available.



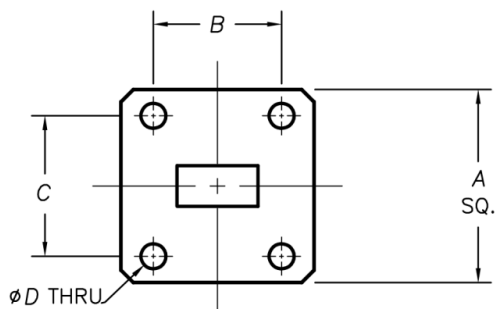
**WR62 to SMA Male Waveguide to Coaxial Adapter  
UBR140 Flange, Right Angle**

Rev 5

**Dimensions(mm)**



**Flange Comparison (mm)**



\* The purpose of this comparison is to provide a quick reference of different flange standards. Great care has been given, nevertheless there might be a few mistakes.  
\* Please check the flange compatibility before ordering. Customized flanges are available.

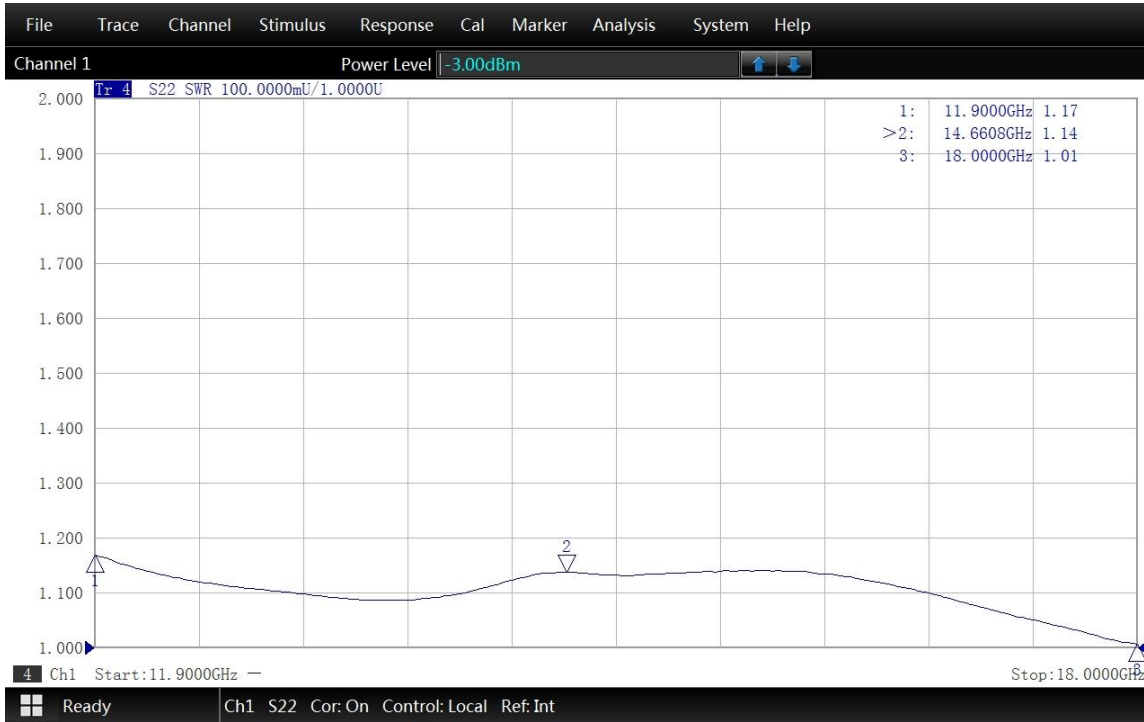
WG SIZE	CONFORMING STANDARD	A	B	C	D
WR62	RF ONE:AWR62SMAM	33.3	25.25	24.28	4.1
	IEC60154:UBR140	33.30	25.24	24.28	4.00
	USA:MIL3922/53-006(UG1665/U)	33.35	25.24	24.28	3.66



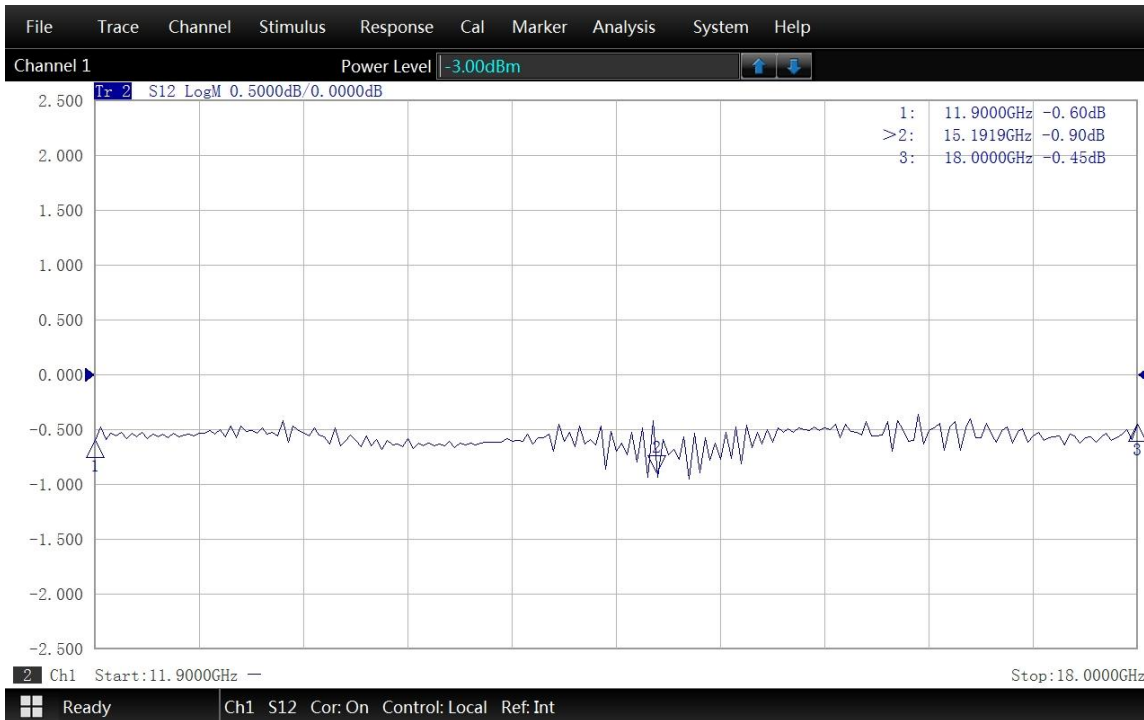
## WR62 to SMA Male Waveguide to Coaxial Adapter UBR140 Flange, Right Angle

Rev 5

### Typical Test Data at 25°C



VSWR



Insertion Loss\*

\* In Insertion Loss (IL) testing, adapters are measured back-to-back. To obtain the loss of a single adapter, divide the measured value by two.