

Waveguide to Coaxial Adapter **AWR650N**

WR650 to N Female, Rectangular Cover Flange, Right Angle

Rev 3

Electrical

Impedance	50 ohm
Frequency Range	1.13-1.73 GHz
VSWR	1.2 max

Configuration

Waveguide Size	IEC	R14
	EIA	WR650
Flange Type	IEC	UDR14
	North America	Al alloy: M3922/52-002(UG1720/U) Cu alloy: M3922/52-001(UG1714/U) CPR650F
Coax Connector	N Female	
Body Geometry	Right Angle	

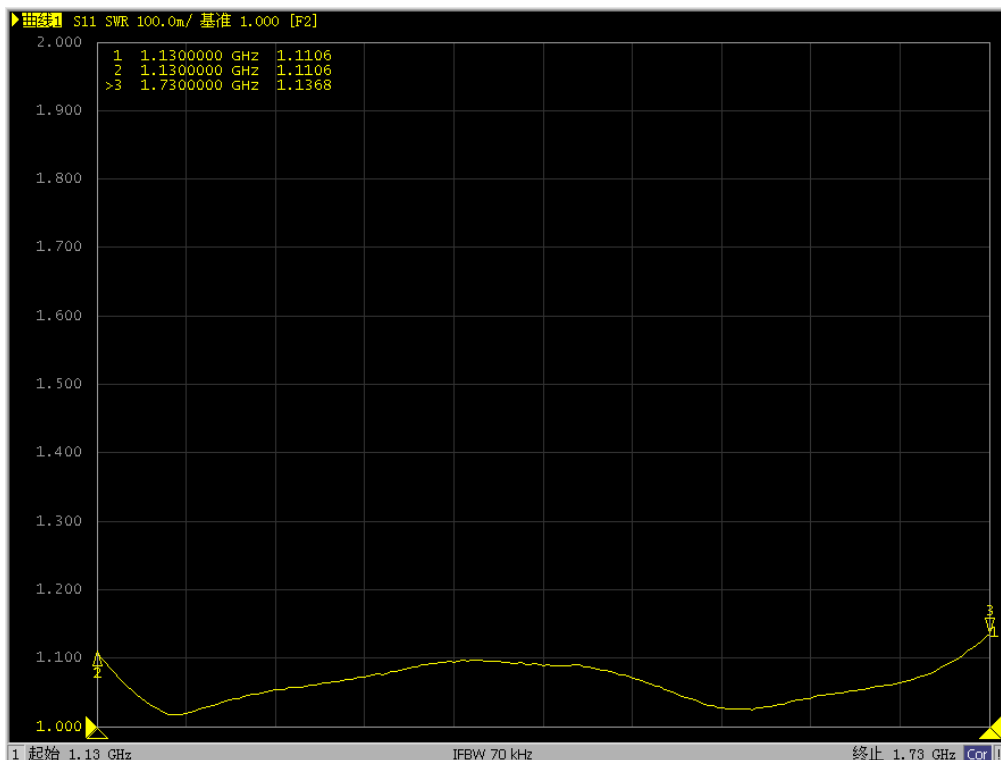
Materials

Waveguide Body	Aluminum, black or grey painted
Connector Body	Passivated stainless steel
Center Contact	Gold plated beryllium copper

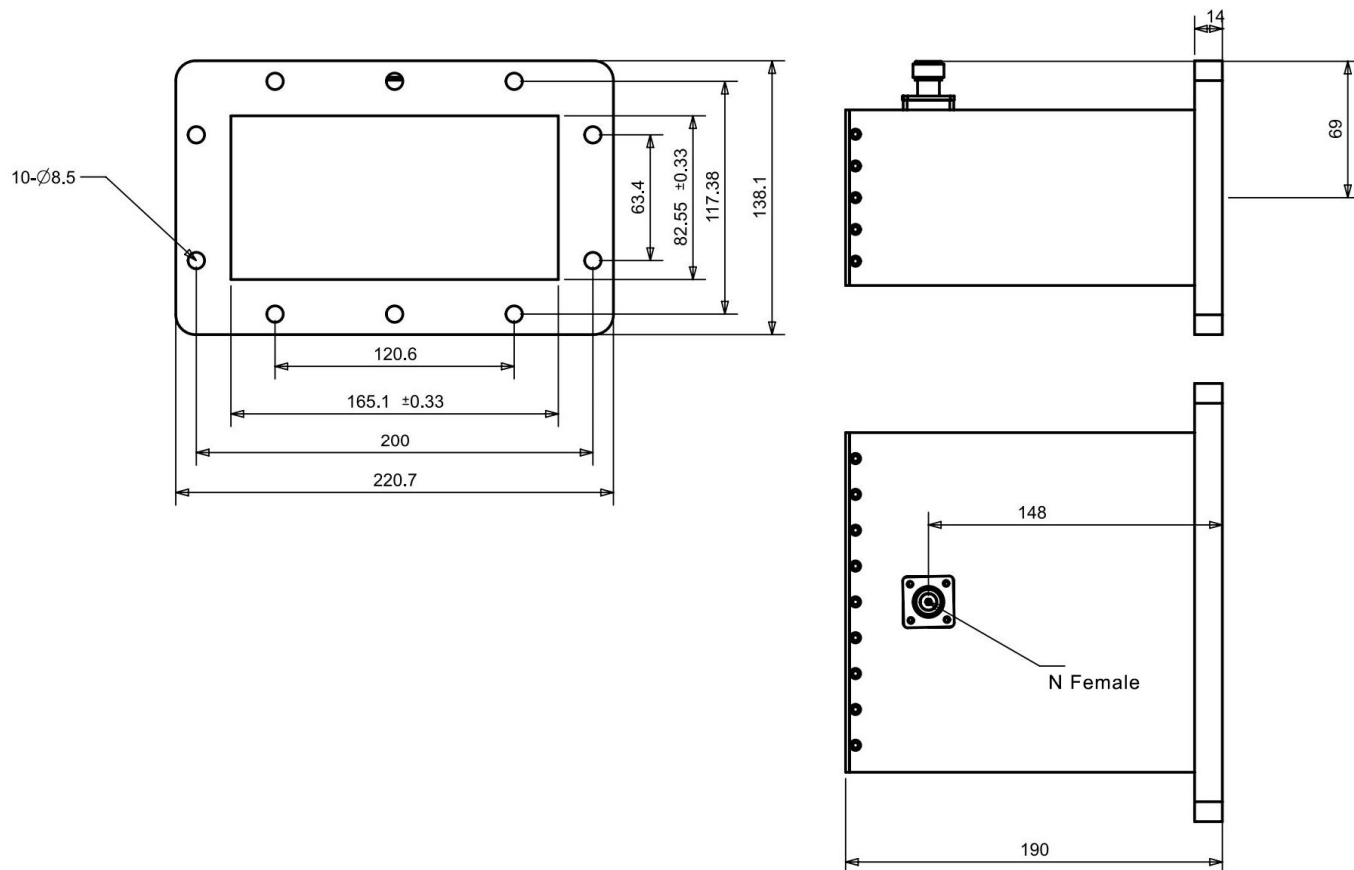
Mechanical & Environmental

Operating Temp	-40°C to 70°C
Connector Interface	MIL-STD-348
RoHS	Compliant

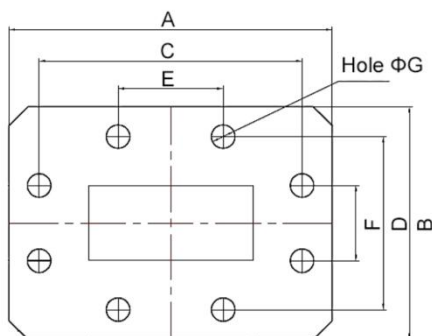
Typical Test Data



Dimensions(mm)



Flange Comparison (Unit mm)



WG SIZE	CONFORMING STANDARD	A	B	C	D	E	F	G
WR650	RF ONE:AWR650N	220.7	138.1	200	117.38	120.6	63.46	8.3
	IEC60154:UDR14	220.70	138.10	200.00	117.38	120.6	63.46	8.00
	USA:M3922/52-002(UG1720/U)	220.73	138.18	200.00	117.40	120.6	63.44	8.38
	USA:CPR 650F	220.65	138.09	200.00	117.38	120.6	63.46	8.33

* The purpose of this size comparison is to provide a quick overview of different flange standards.

* Great care has been given nevertheless there might be a few mistakes.

* Please check the flange compatibility before ordering. Customized flanges are available.