

Waveguide to Coaxial Adapter **AWR75N**

WR75 to N Female, Square Cover Flange, Right Angle



Rev 3

Electrical

Impedance	50 ohm
Frequency Range	9.84-15 GHz
VSWR	1.2 max

Configuration

Waveguide Size	IEC	R120
	EIA	WR75
Flange Type	IEC	UBR120
	North America	Al alloy: MIL3922/70-025 Cu alloy: MIL3922/70-026
Coax Connector	N Female	
Body Geometry	Right Angle	

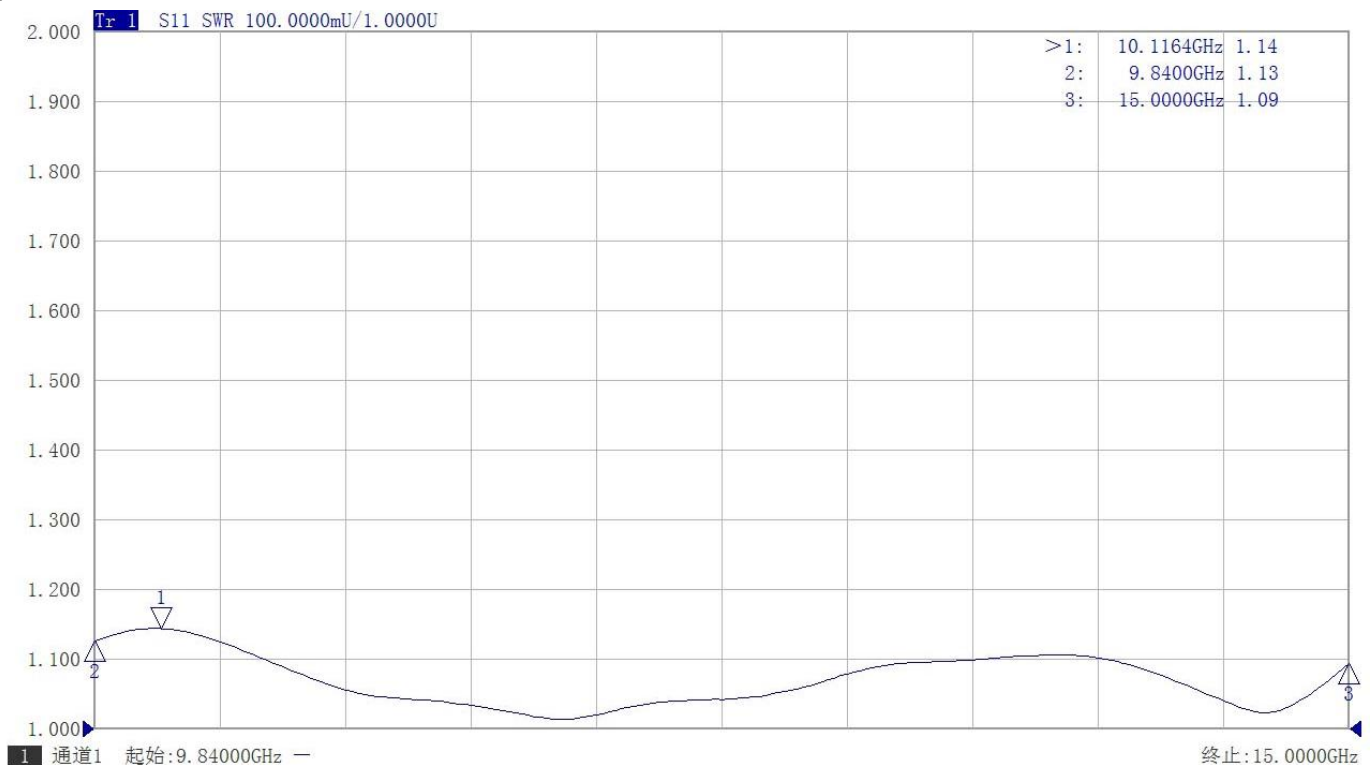
Materials

Waveguide Body	Aluminum, black or grey painted
Connector Body	Passivated stainless steel
Center Contact	Gold plated beryllium copper

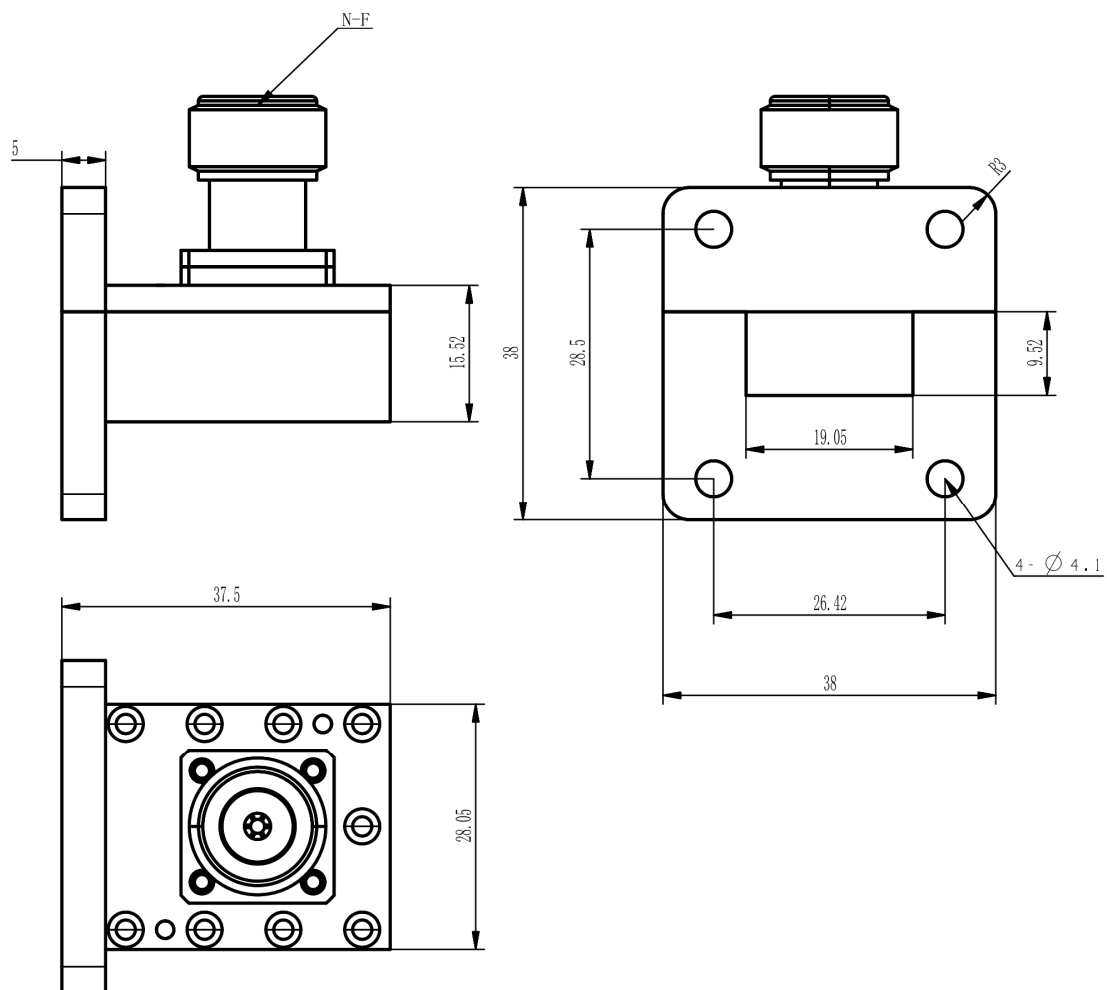
Mechanical & Environmental

Operating Temp	-40°C to 70°C
Connector Interface	MIL-STD-348
RoHS	Compliant

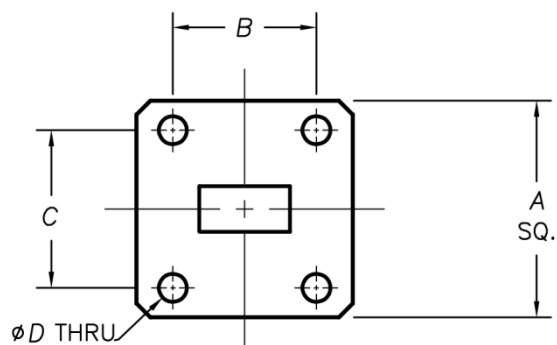
Typical Test Data



Dimensions(mm)



Flange Comparison (Unit mm)



WG SIZE	CONFORMING STANDARD	A	B	C	D
WR75	RF ONE:AWR75N	38	26.42	28.5	4.1
	IEC60154:UBR120	38.10	26.42	28.5	4.00
	USA:MIL3922/70-026	38.10	26.42	28.5	3.70

* The purpose of this size comparison is to provide a quick overview of different flange standards.

* Great care has been given nevertheless there might be a few mistakes.

* Please check the flange compatibility before ordering. Customized flanges are available.