


**WR75 to N Male Waveguide to Coaxial Adapter  
UBR120 Flange, End Launch**

Rev 1

**Electrical**

|                 |             |
|-----------------|-------------|
| Frequency Range | 9.84-15 GHz |
| VSWR            | 1.25 max    |

**Configuration**

|                |               |  |
|----------------|---------------|--|
| Waveguide Size | IEC           | R120   |
|                | EIA           | WR75   |
| Flange         | IEC           | UBR120   |
|                | North America | Al alloy: MIL3922/70-025<br>Cu alloy: MIL3922/70-026 |
| Coax Connector | N Male        |  |
| Body Geometry  | End Launch    |  |

**Mechanical & Environmental**

|                       |  |
|-----------------------|--|
| Waveguide Body        | Aluminum, conductive oxidation, anti-corrosive paint |
| Connector Body        | Passivated stainless steel                           |
| Center Contact        | Gold plated brass                                    |
| Operating Temperature | -40°C to +85°C                                       |
| Connector Interface   | MIL-STD-348  |
| RoHS                  | Compliant under exemptions 6 (b) or 6 (c)            |
| Net Weight            | Approx 65g   |

**Note**

\* Flange size may not be 100% identical with the above listed standards, but are compatible. Refer to the next page for comparison table.

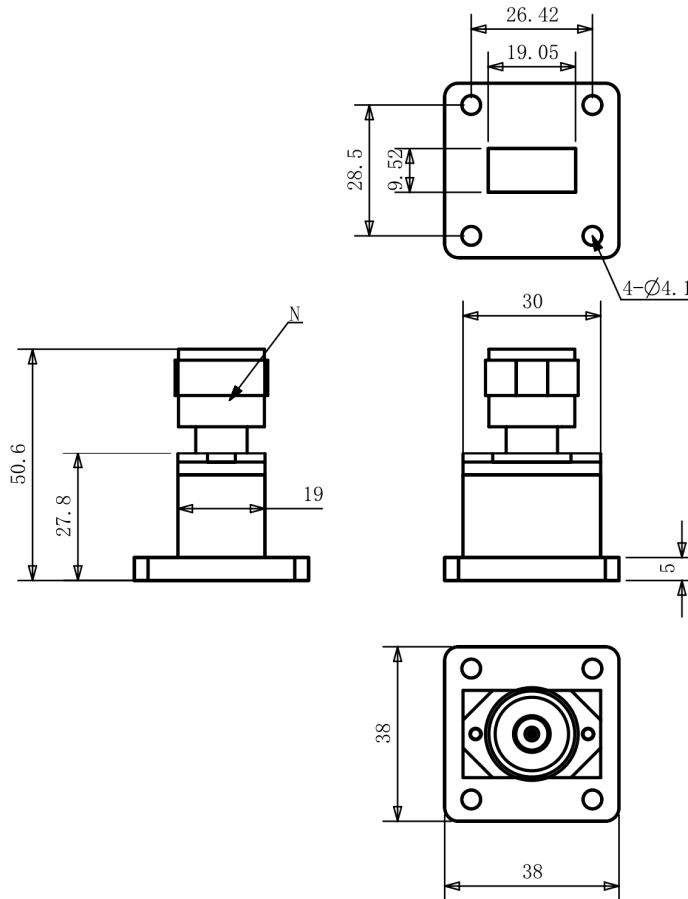
\* Paint in grey or black by default, other colors available.



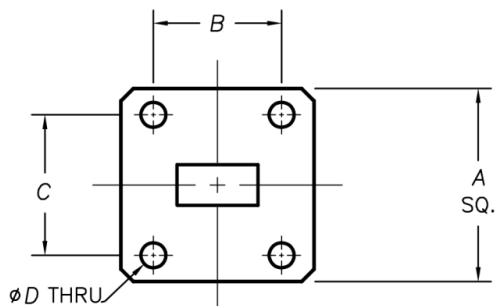
**WR75 to N Male Waveguide to Coaxial Adapter  
UBR120 Flange, End Launch**

Rev 1

**Dimensions(mm)**



**Flange Comparison (mm)**



\* The purpose of this comparison is to provide a quick reference of different flange standards. Great care has been given, nevertheless there might be a few mistakes.

\* Please check the flange compatibility before ordering. Customized flanges are available.

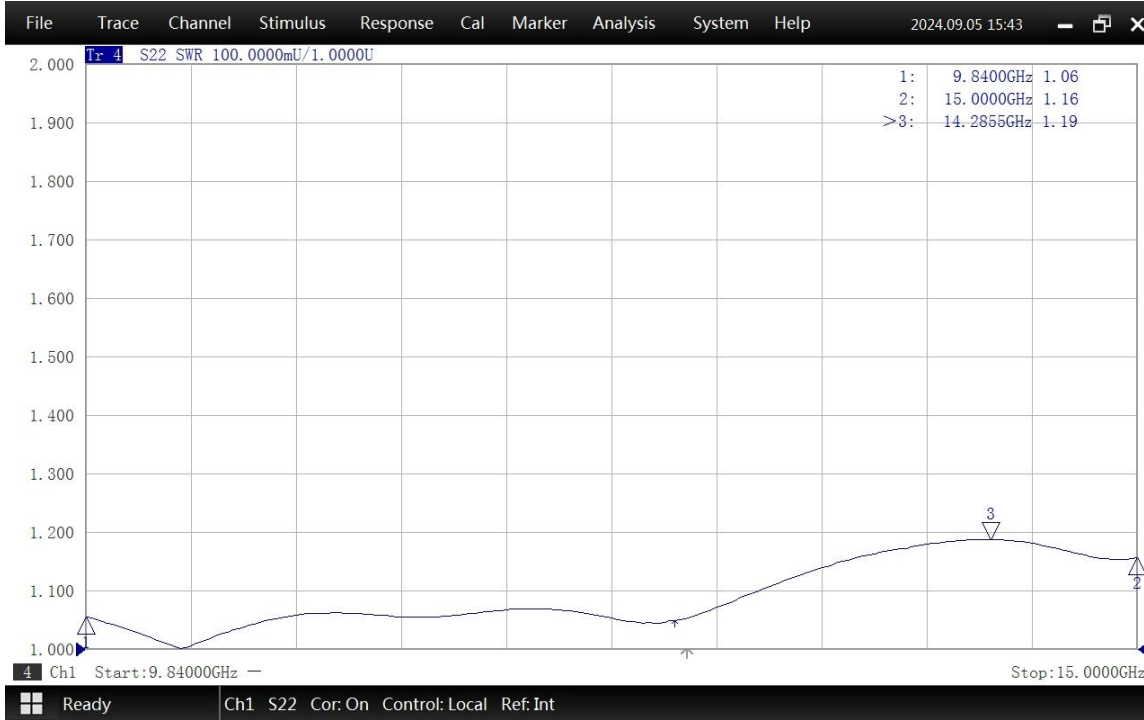
| WG SIZE | CONFORMING STANDARD | A     | B     | C    | D    |
|---------|---------------------|-------|-------|------|------|
| WR75    | RF ONE:AWR75NMEL    | 38    | 26.42 | 28.5 | 4.1  |
|         | IEC60154:UBR120     | 38.10 | 26.42 | 28.5 | 4.00 |
|         | USA:MIL3922/70-026  | 38.10 | 26.42 | 28.5 | 3.70 |



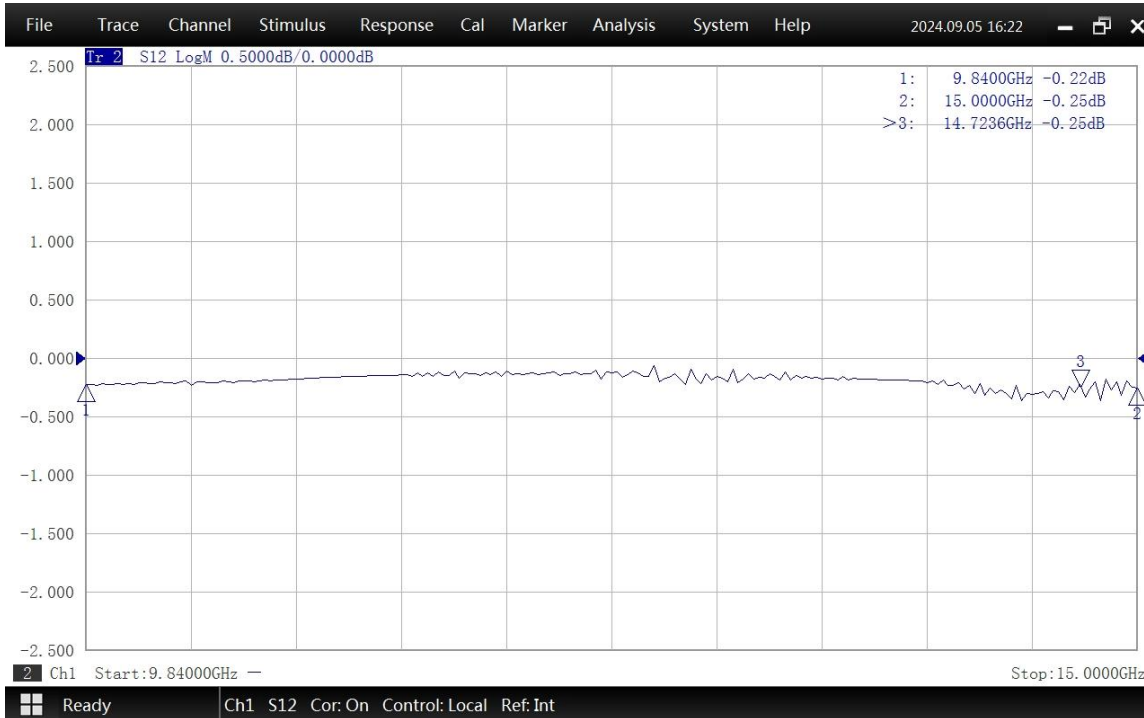
**WR75 to N Male Waveguide to Coaxial Adapter  
UBR120 Flange, End Launch**

Rev 1

**Typical Test Data at 25°C**



VSWR



Insertion Loss\*

\* In Insertion Loss (IL) testing, adapters are measured back-to-back. To obtain the loss of a single adapter, divide the measured value by two.