



# Waveguide to Coaxial Adapter **AWR770N**

## WR770 to N Female, Rectangular Cover Flange, Right Angle

Rev 3

### Electrical

<b>Impedance</b>	50 ohm
<b>Frequency Range</b>	0.96-1.46 GHz
<b>VSWR</b>	1.2 max

### Configuration

<b>Waveguide Size</b>	IEC	R12
	EIA	WR770
<b>Flange Type</b>	IEC	UDR12
	North America	M3922/76-01 CPR770F
<b>Coax Connector</b>	N Female	
<b>Body Geometry</b>	Right Angle	

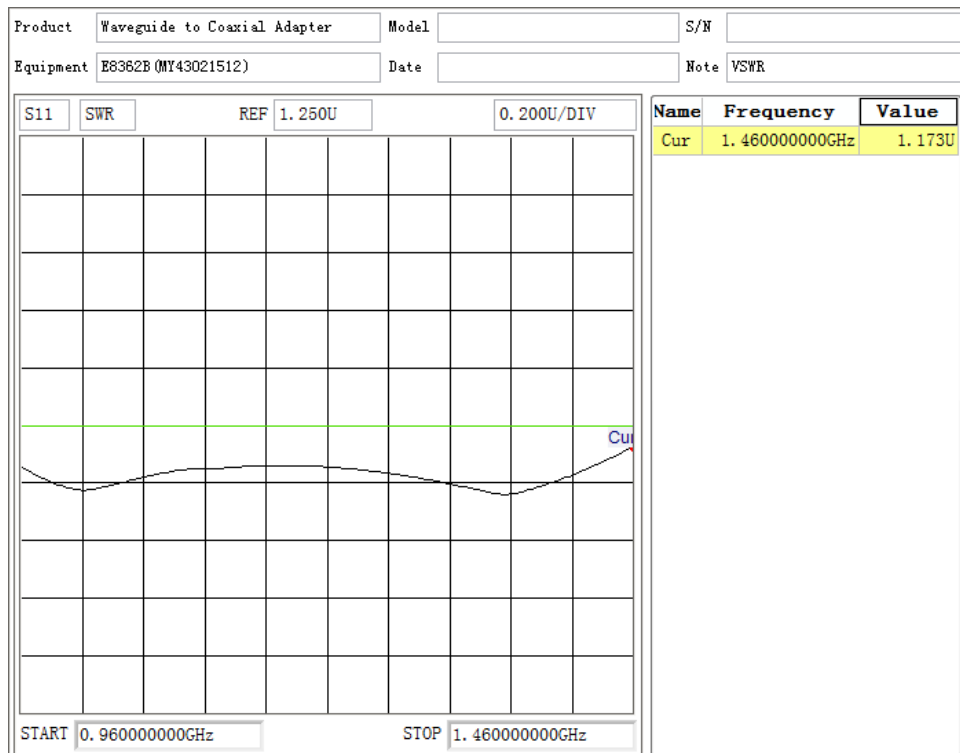
### Materials

<b>Waveguide Body</b>	Aluminum, black or grey painted
<b>Connector Body</b>	Passivated stainless steel
<b>Center Contact</b>	Gold plated beryllium copper

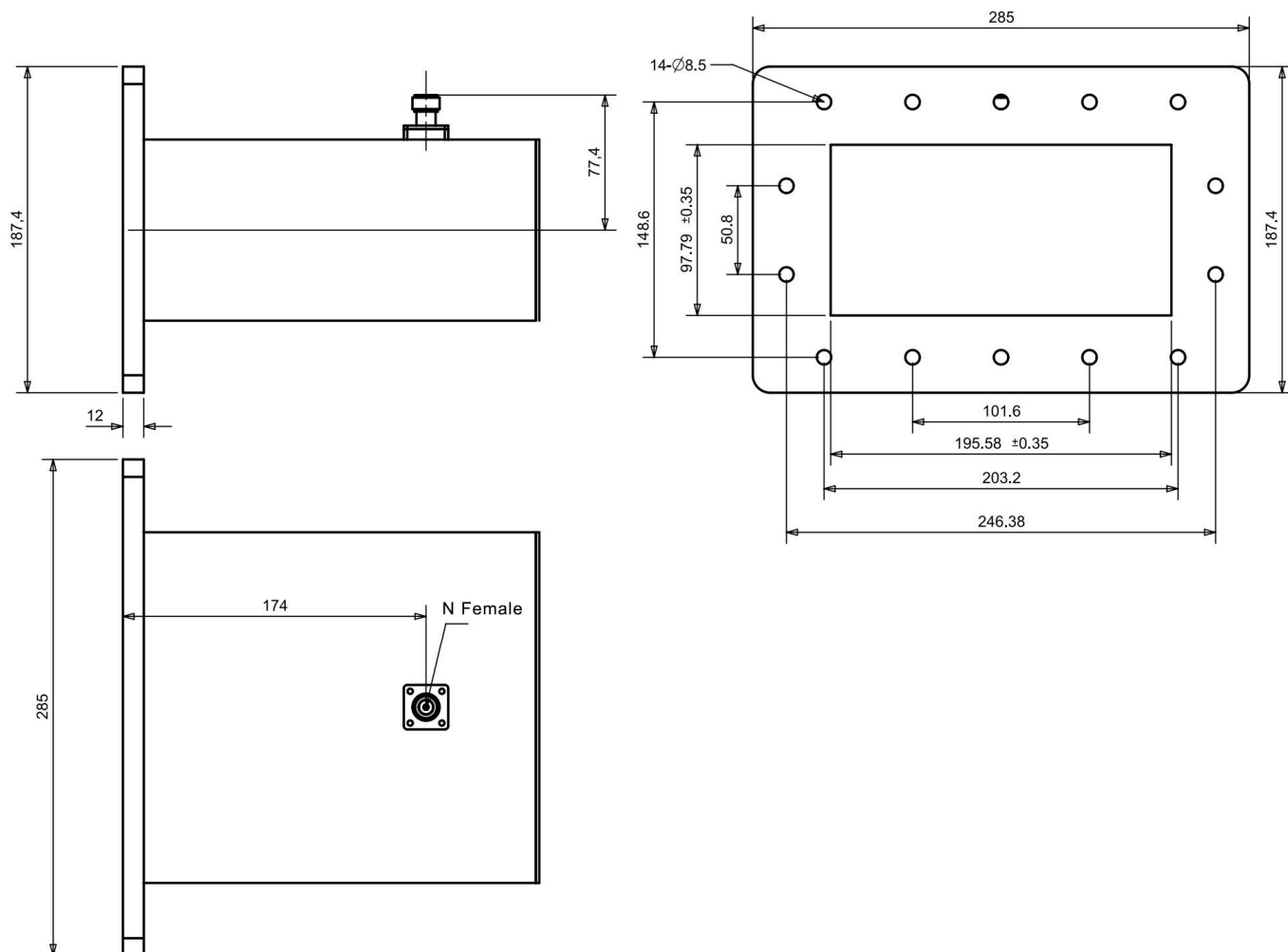
### Mechanical & Environmental

<b>Operating Temp</b>	-40°C to 70°C
<b>Connector Interface</b>	MIL-STD-348
<b>RoHS</b>	Compliant

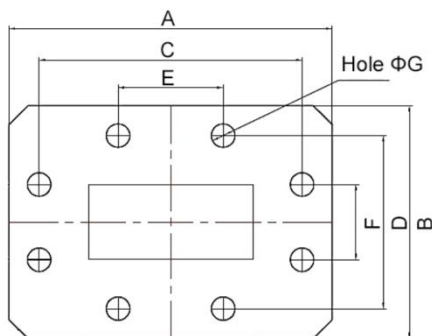
### Typical Test Data



## Dimensions(mm)



## Flange Comparison (Unit mm)



WG SIZE	CONFORMING STANDARD	A	B	C	D	E	F	G
WR770	RF ONE:AWR770N	285	187.4	203.2	148.6	101.6	50.8	10.4
	IEC60154:UDR12	285	187.4	203.2	148.6	101.6	50.8	10.4
	USA:M3922/76-01	285	187.4	203.2	148.6	101.6	50.8	10.3
	USA:CPR 770F	285	187.4	203.2	148.6	101.6	50.8	10.3

\* The purpose of this size comparison is to provide a quick overview of different flange standards.

\* Great care has been given nevertheless there might be a few mistakes.

\* Please check the flange compatibility before ordering. Customized flanges are available.