



Waveguide to Coaxial Adapter **AWR90N**

WR90 to N Female, Square Cover Flange, Right Angle

Rev 3

Electrical

Impedance	50 ohm
Frequency Range	8.2-12.5 GHz
VSWR	1.2 max

Configuration

Waveguide Size	IEC	100
	EIA	WR90
Flange Type	IEC	UBR100
	North America	Al alloy: M3922/53-003(UG135/U) Cu alloy: M3922/53-001(UG39/U)
Coax Connector	N Female	
Body Geometry	Right Angle	

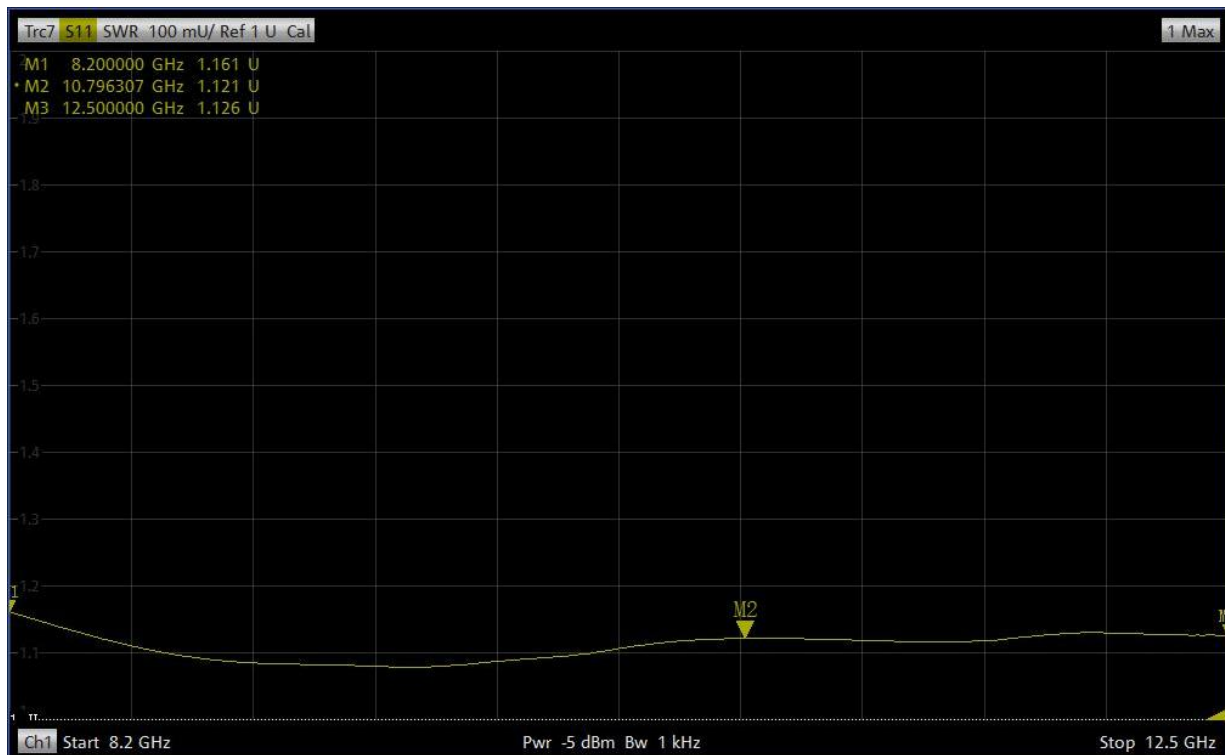
Materials

Waveguide Body	Aluminum, black or grey painted
Connector Body	Passivated stainless steel
Center Contact	Gold plated beryllium copper

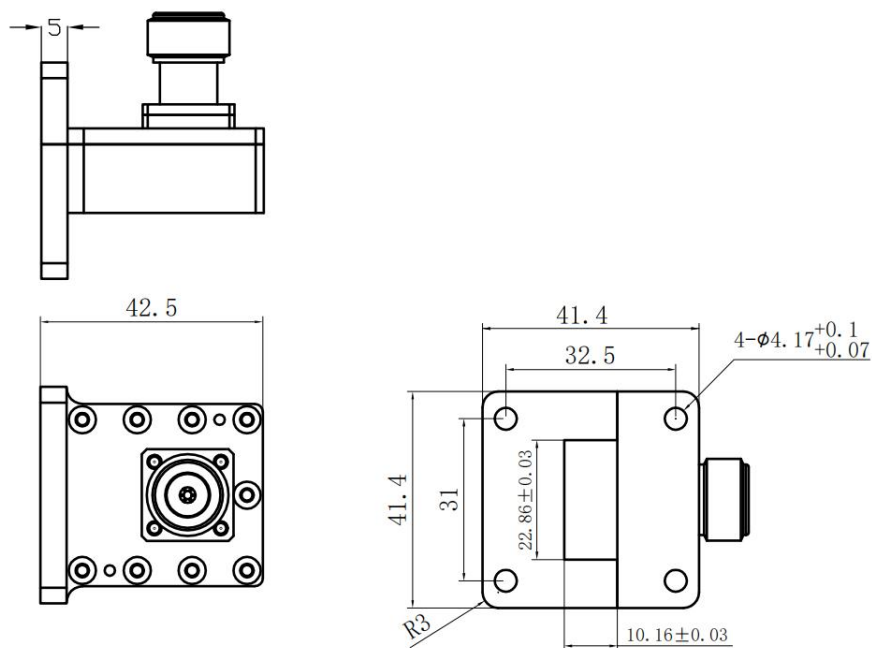
Mechanical & Environmental

Operating Temp	-40°C to 70°C
Connector Interface	MIL-STD-348
RoHS	Compliant

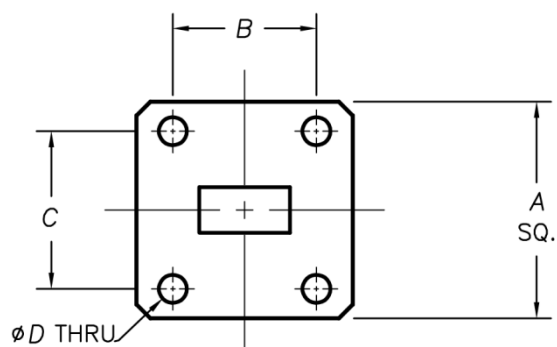
Typical Test Data



Dimensions(mm)



Flange Comparison (Unit mm)



WG SIZE	CONFORMING STANDARD	A	B	C	D
WR90	RF ONE:AWR90N	41.4	31	32.5	4.2
	IEC60154:UBR100	41.40	30.98	32.52	4.1
	USA:MIL3922/53-003(UG135/U)	41.28	30.98	32.52	4.29

* The purpose of this size comparison is to provide a quick overview of different flange standards.

* Great care has been given nevertheless there might be a few mistakes.

* Please check the flange compatibility before ordering. Customized flanges are available.