



Waveguide to Coaxial Adapter **AWR90NG**

WR90 to N Female, Rectangular, Grooved Flange, Right Angle

Rev 3

Electrical

Impedance	50 ohm
Frequency Range	8.2-12.5 GHz
VSWR	1.2 max

Configuration

Waveguide Size	IEC	100
	EIA	WR90
Flange Type	IEC	PDR100
	North America	Al alloy :M3922/52-044(UG1361/U) Cu alloy:M3922/52-043(UG1360/U)
Coax Connector	N Female	
Body Geometry	Right Angle	

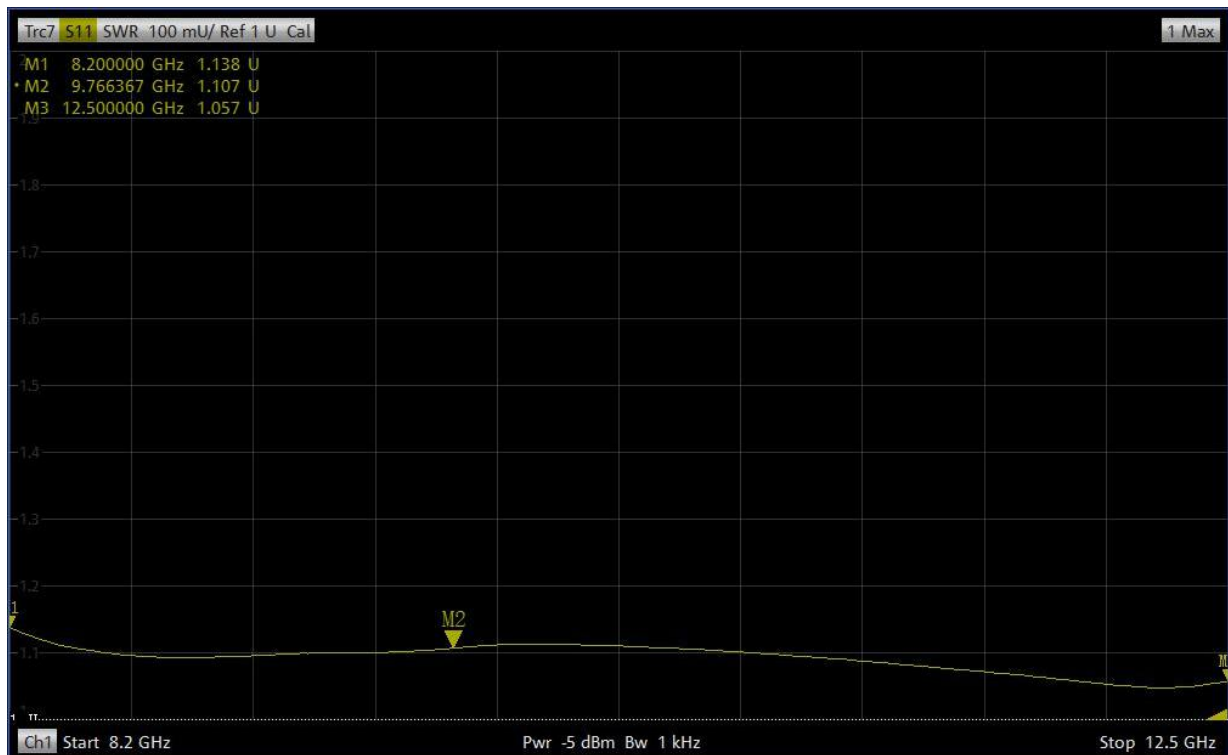
Materials

Waveguide Body	Aluminum, black or grey painted
Connector Body	Passivated stainless steel
Center Contact	Gold plated beryllium copper

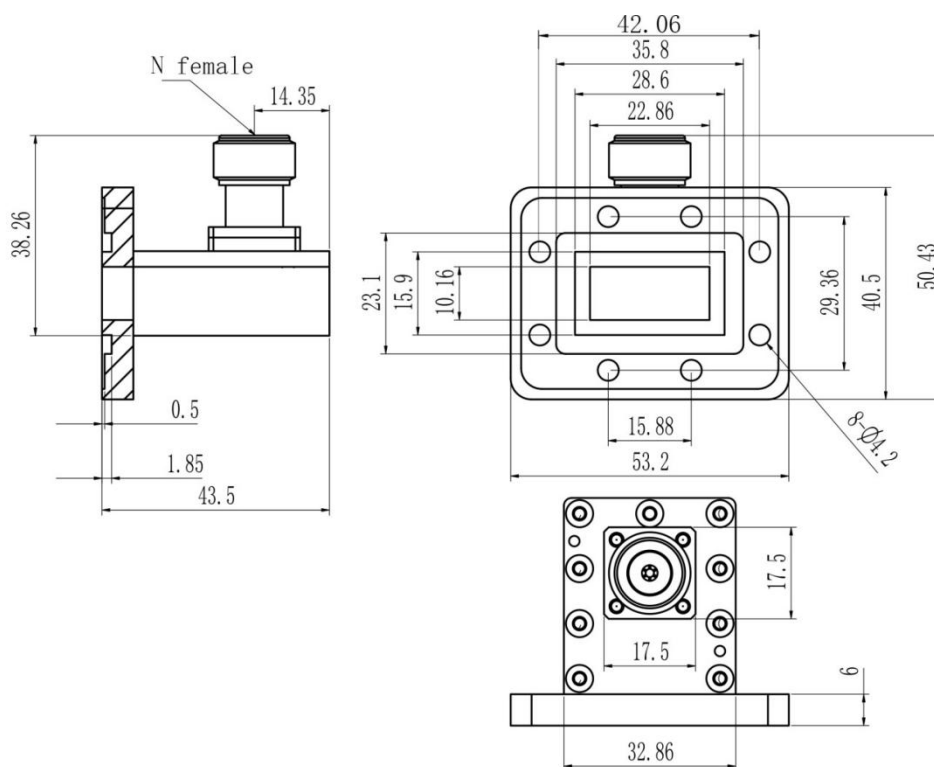
Mechanical & Environmental

Operating Temp	-40°C to 70°C
Connector Interface	MIL-STD-348
RoHS	Compliant

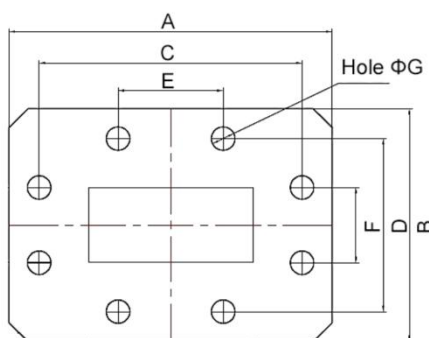
Typical Test Data



Dimensions(mm)



Flange Comparison (Unit mm)



WG SIZE	CONFORMING STANDARD	A	B	C	D	E	F	G
WR112	RF ONE:AWR90NG	53.2	40.5	42.06	29.36	15.88	15.9	4.2
	IEC60154:PDR100	53.2	40.5	42.06	29.36	15.88	15.88	4.00
	USA:M3922/52-044	53.09	40.39	42.06	29.36	15.84	15.9	4.29

* The purpose of this size comparison is to provide a quick overview of different flange standards.

* Great care has been given nevertheless there might be a few mistakes.

* Please check the flange compatibility before ordering. Customized flanges are available.