

Waveguide to Coaxial Adapter **AWR90SMA**

WR90 to SMA Female, Square Cover Flange, Right Angle

Rev 3

Electrical

| | |
|------------------------|--------------|
| Impedance | 50 ohm |
| Frequency Range | 8.2-12.4 GHz |
| VSWR | 1.2 max |

Configuration

| | | |
|-----------------------|---------------|---|
| Waveguide Size | IEC | 100 |
| | EIA | WR90 |
| Flange Type | IEC | UBR100 |
| | North America | Al alloy: M3922/53-003(UG135/U) Cu alloy: M3922/53-001(UG39/U) |
| Coax Connector | SMA Female | |
| Body Geometry | Right Angle | |

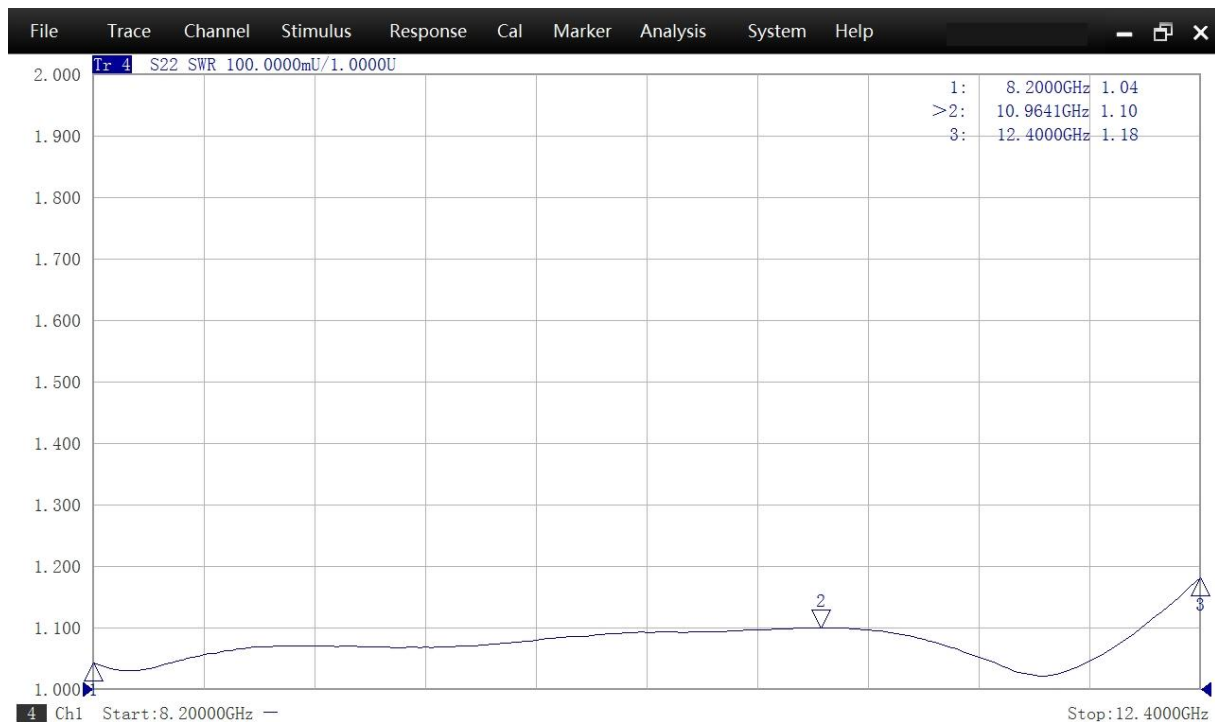
Materials

| | |
|-----------------------|---------------------------------|
| Waveguide Body | Aluminum, black or grey painted |
| Connector Body | Passivated stainless steel |
| Center Contact | Gold plated beryllium copper |

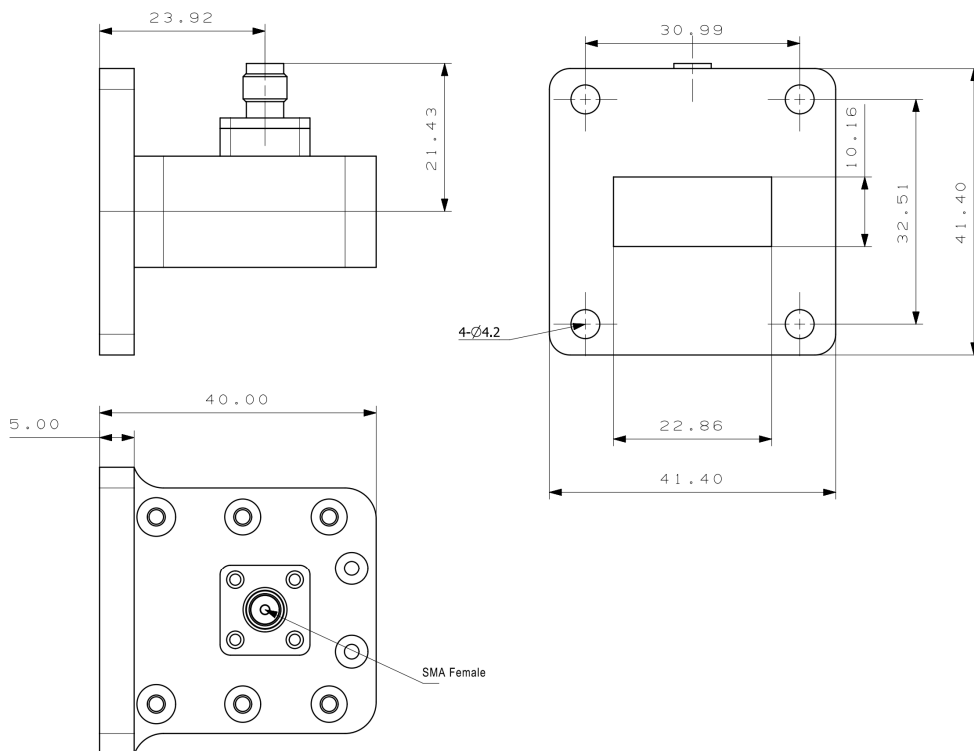
Mechanical & Environmental

| | |
|----------------------------|---------------|
| Operating Temp | -40°C to 70°C |
| Connector Interface | MIL-STD-348 |
| RoHS | Compliant |

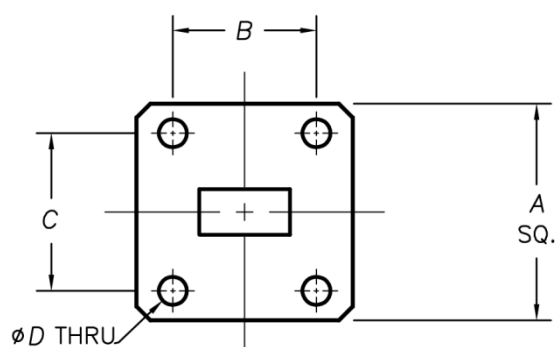
Typical Test Data



Dimensions(mm)



Flange Comparison (Unit mm)



| WG SIZE | CONFORMING STANDARD | A | B | C | D |
|---------|---------------------------|-------|-------|-------|------|
| WR90 | RF ONE:AWR90SMA | 41.4 | 30.99 | 32.51 | 4.2 |
| | IEC60154:UBR100 | 41.40 | 30.98 | 32.52 | 4.1 |
| | USA:M3922/53-003(UG135/U) | 41.28 | 30.98 | 32.52 | 4.29 |

* The purpose of this size comparison is to provide a quick overview of different flange standards.

* Great care has been given nevertheless there might be a few mistakes.

* Please check the flange compatibility before ordering. Customized flanges are available.