

# Waveguide to Coaxial Adapter **AWR90SMAG**

## WR90 to SMA Female, Rectangular, Grooved Flange, Right Angle



Rev 3

### Electrical

<b>Impedance</b>	50 ohm
<b>Frequency Range</b>	8.2-12.4 GHz
<b>VSWR</b>	1.2 max

### Configuration

<b>Waveguide Size</b>	IEC	100
	EIA	WR90
<b>Flange Type</b>	IEC	PDR100
	North America	Al alloy :M3922/52-044(UG1361/U) Cu alloy:M3922/52-043(UG1360/U)
<b>Coax Connector</b>	SMA Female	
<b>Body Geometry</b>	Right Angle	

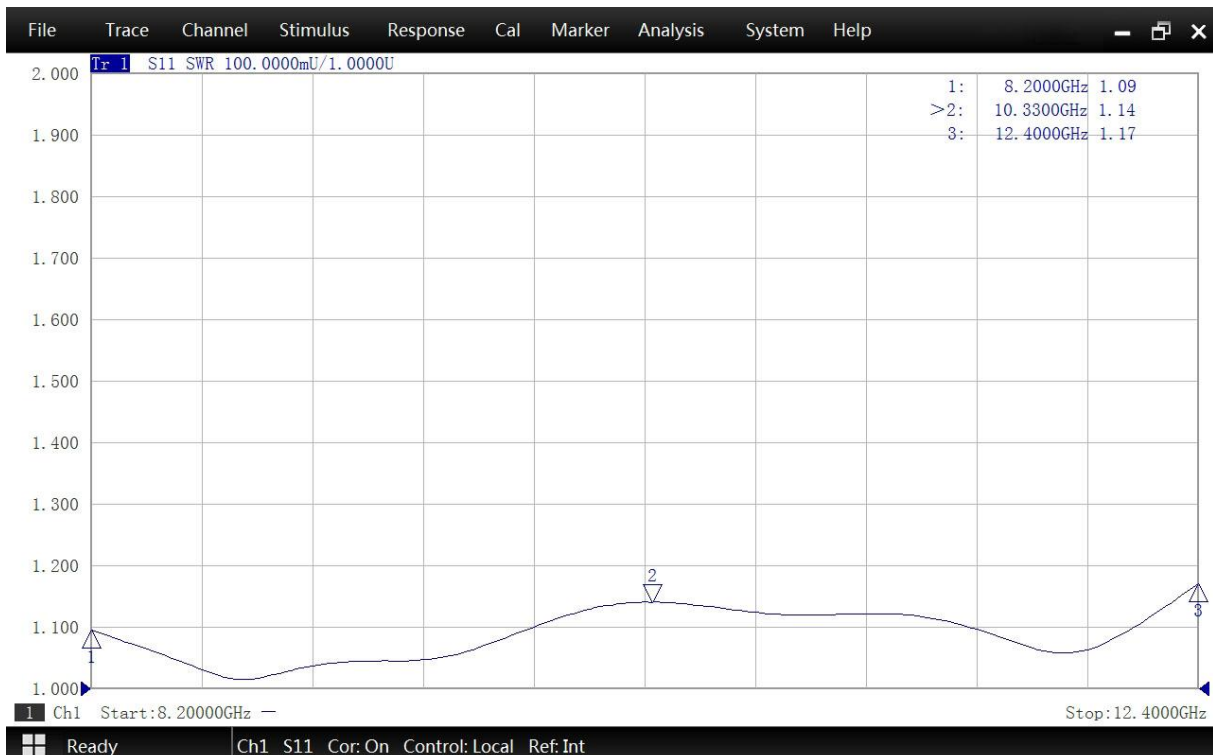
### Materials

<b>Waveguide Body</b>	Aluminum, black or grey painted
<b>Connector Body</b>	Passivated stainless steel
<b>Center Contact</b>	Gold plated beryllium copper

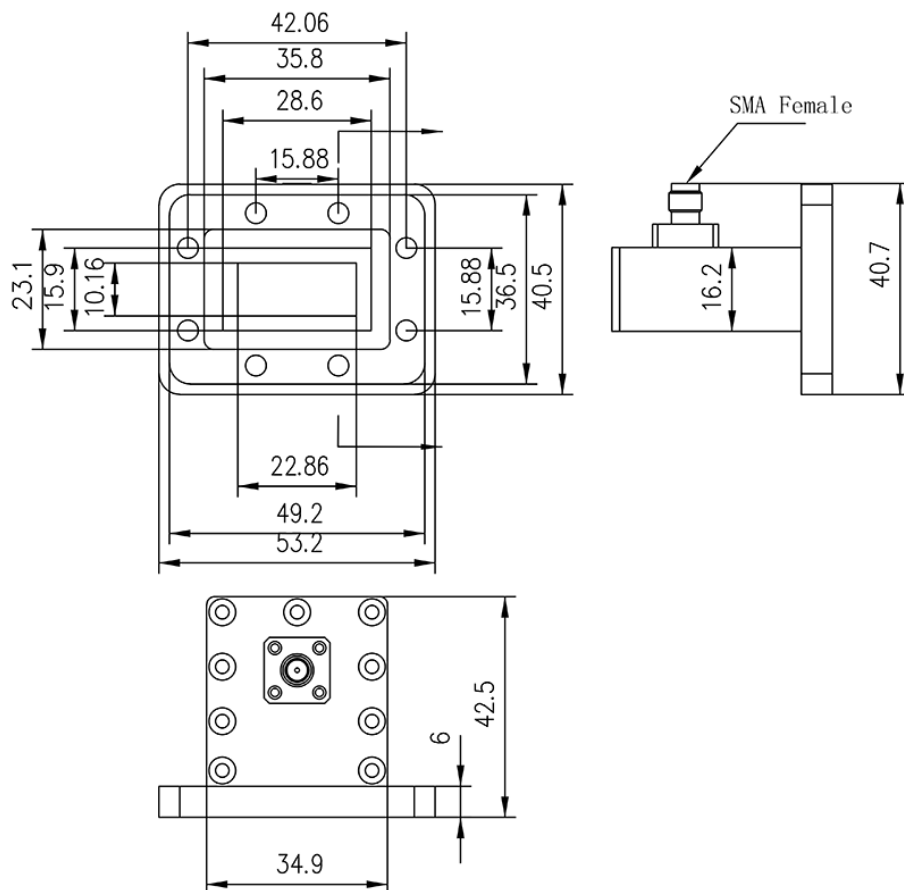
### Mechanical & Environmental

<b>Operating Temp</b>	-40°C to 70°C
<b>Connector Interface</b>	MIL-STD-348
<b>RoHS</b>	Compliant

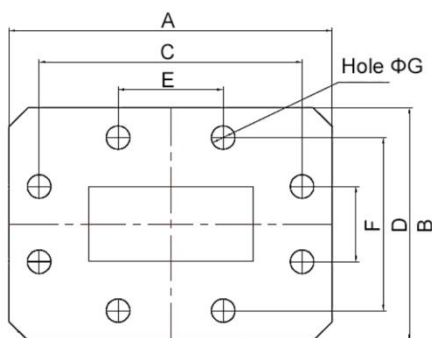
### Typical Test Data



## Dimensions(mm)



## Flange Comparison (Unit mm)



WG SIZE	CONFORMING STANDARD	A	B	C	D	E	F	G
WR112	RF ONE:AWR90SMAG	53.2	40.5	42.06	29.36	15.88	15.88	4.0
	IEC60154:PDR100	53.2	40.5	42.06	29.36	15.88	15.88	4.00
	USA:M3922/52-044	53.09	40.39	42.06	29.36	15.84	15.9	4.29

\* The purpose of this size comparison is to provide a quick overview of different flange standards.

\* Great care has been given nevertheless there might be a few mistakes.

\* Please check the flange compatibility before ordering. Customized flanges are available.