



Waveguide to Coaxial Adapter **AWR975N**

WR975 to N Female, Rectangular Cover Flange, Right Angle

Rev 3

Electrical

Impedance	50 ohm
Frequency Range	0.76-1.15 GHz
VSWR	1.2 max

Configuration

Waveguide Size	IEC	R9
	EIA	WR975
Flange Type	IEC	UDR9
	North America	M3922/76-02 CPR975F
Coax Connector	N Female	
Body Geometry	Right Angle	

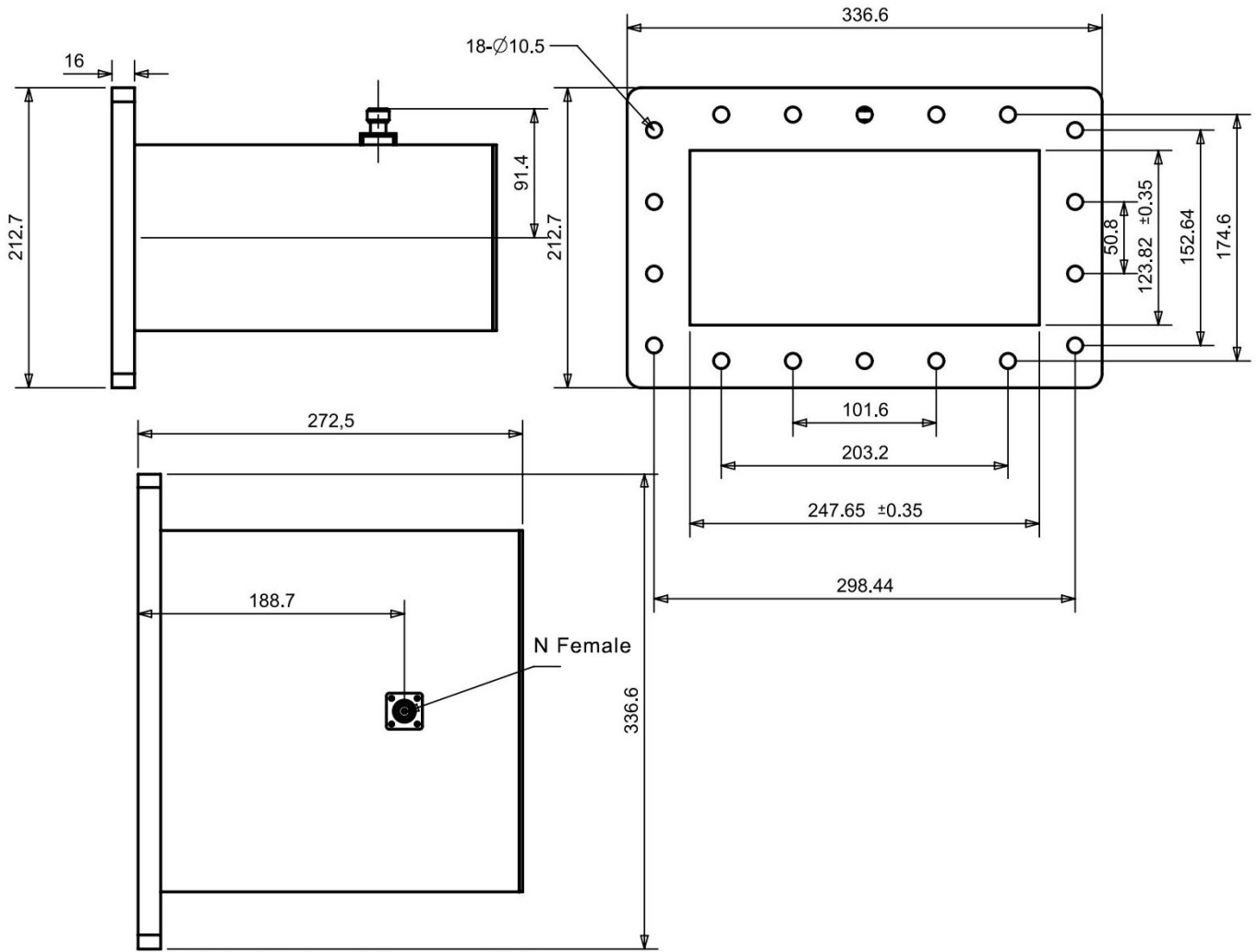
Materials

Waveguide Body	Aluminum, black or grey painted
Connector Body	Passivated stainless steel
Center Contact	Gold plated beryllium copper

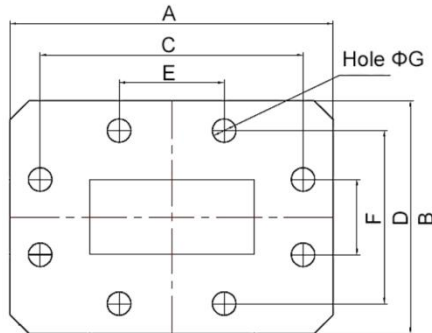
Mechanical & Environmental

Operating Temp	-40°C to 70°C
Connector Interface	IEC-61169
RoHS	Compliant

Dimensions(mm)



Flange Comparison (Unit mm)



WG SIZE	CONFORMING STANDARD	A	B	C	D	E	F	G
WR975	RF ONE:AWR975N	336.6	212.7	298.44	174.6	101.6	50.8	10.4
	IEC60154:UDR9	336.6	212.7	298.44	174.6	101.6	50.8	10.4
	USA:M3922/76-02	336.6	212.7	298.44	174.6	101.6	50.8	10.3
	USA:CPR 975F	336.6	212.7	298.44	174.6	101.6	50.8	10.3

* The purpose of this size comparison is to provide a quick overview of different flange standards.

* Great care has been given nevertheless there might be a few mistakes.

* Please check the flange compatibility before ordering. Customized flanges are available.