

**WRD250 to N Female Waveguide to Coaxial Adapter  
Rectangular Cover Flange, Right Angle, End Launch**

Rev 5

**Electrical**

|                 |             |
|-----------------|-------------|
| Frequency Range | 2.6-7.8 GHz |
| VSWR            | 1.3 max     |
| Average Power   | 150 Watts   |

**Configuration**

|                |                             |
|----------------|-----------------------------|
| Waveguide Size | WRD250                      |
| Flange         | Rectangular Cover, FPWRD250 |
| Coax Connector | N Female                    |
| Body Geometry  | End Launch                  |

**Mechanical & Environmental**

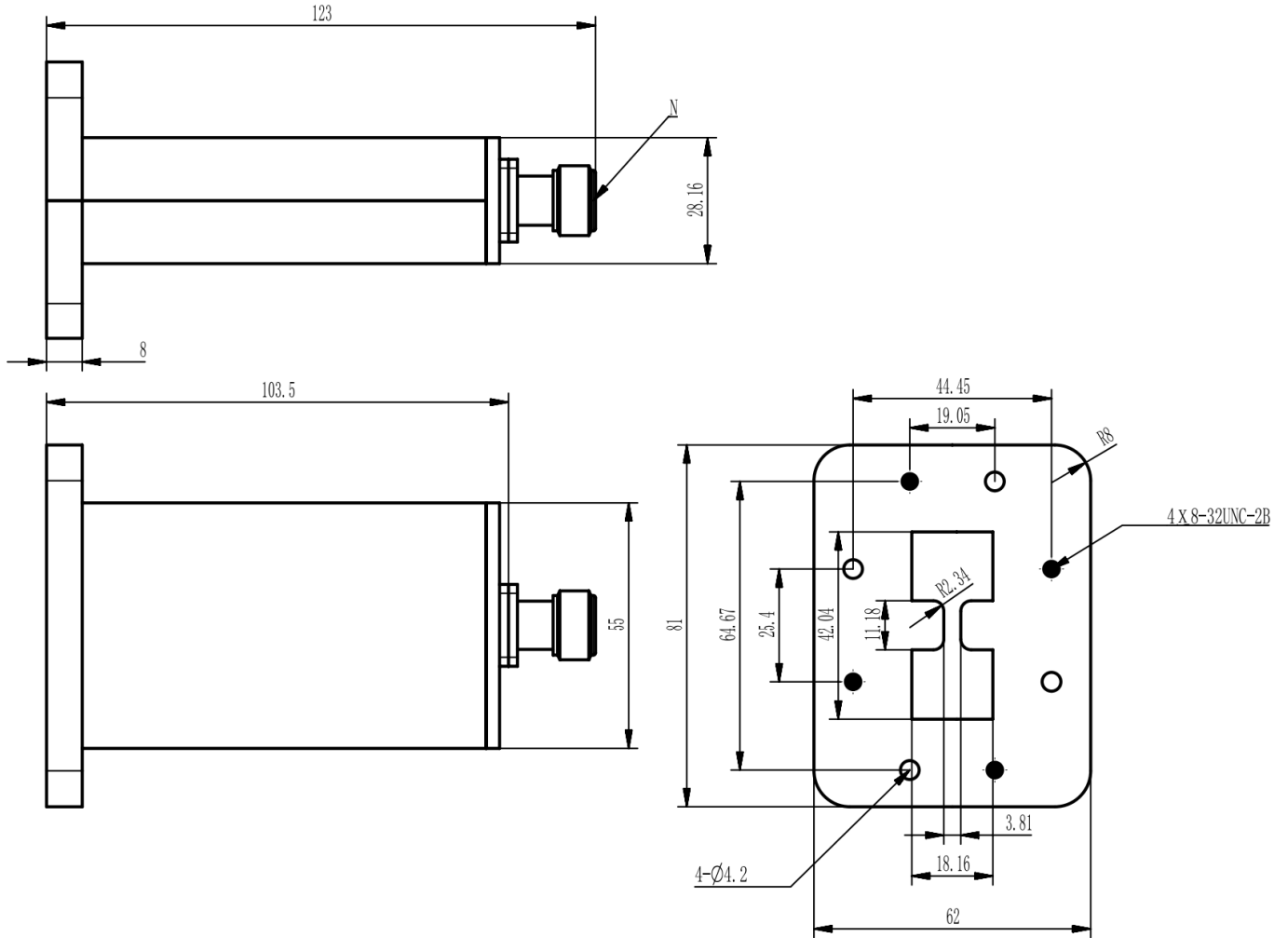
|                       |  |
|-----------------------|--|
| Waveguide Body        | Aluminum, conductive oxidation, anti-corrosive paint |
| Connector Body        | Passivated stainless steel                           |
| Center Contact        | Gold plated beryllium copper                         |
| Operating Temperature | -40°C to +85°C                                       |
| Connector Interface   | MIL-STD-348  |
| RoHS                  | Compliant under exemptions 6 (b) or 6 (c)            |
| Net Weight            | Approx 355g  |

**Note**

\* Paint in grey or black by default, other colors available.

**WRD250 to N Female Waveguide to Coaxial Adapter  
Rectangular Cover Flange, Right Angle, End Launch**

**Dimensions(mm)**



**WRD250 to N Female Waveguide to Coaxial Adapter  
Rectangular Cover Flange, Right Angle, End Launch**

Typical Test Data at 25°C

