

## WRD750 to TNC Female Waveguide to Coaxial Adapter Square Cover Flange, End Launch

Rev 5

### Electrical

Frequency Range	7.5-18 GHz
VSWR	1.3 max
Average Power	150 Watts

### Configuration

Waveguide Size	WRD750
Flange	Square Cover, FPWRD750
Coax Connector	TNC Female
Body Geometry	End Launch

### Mechanical & Environmental

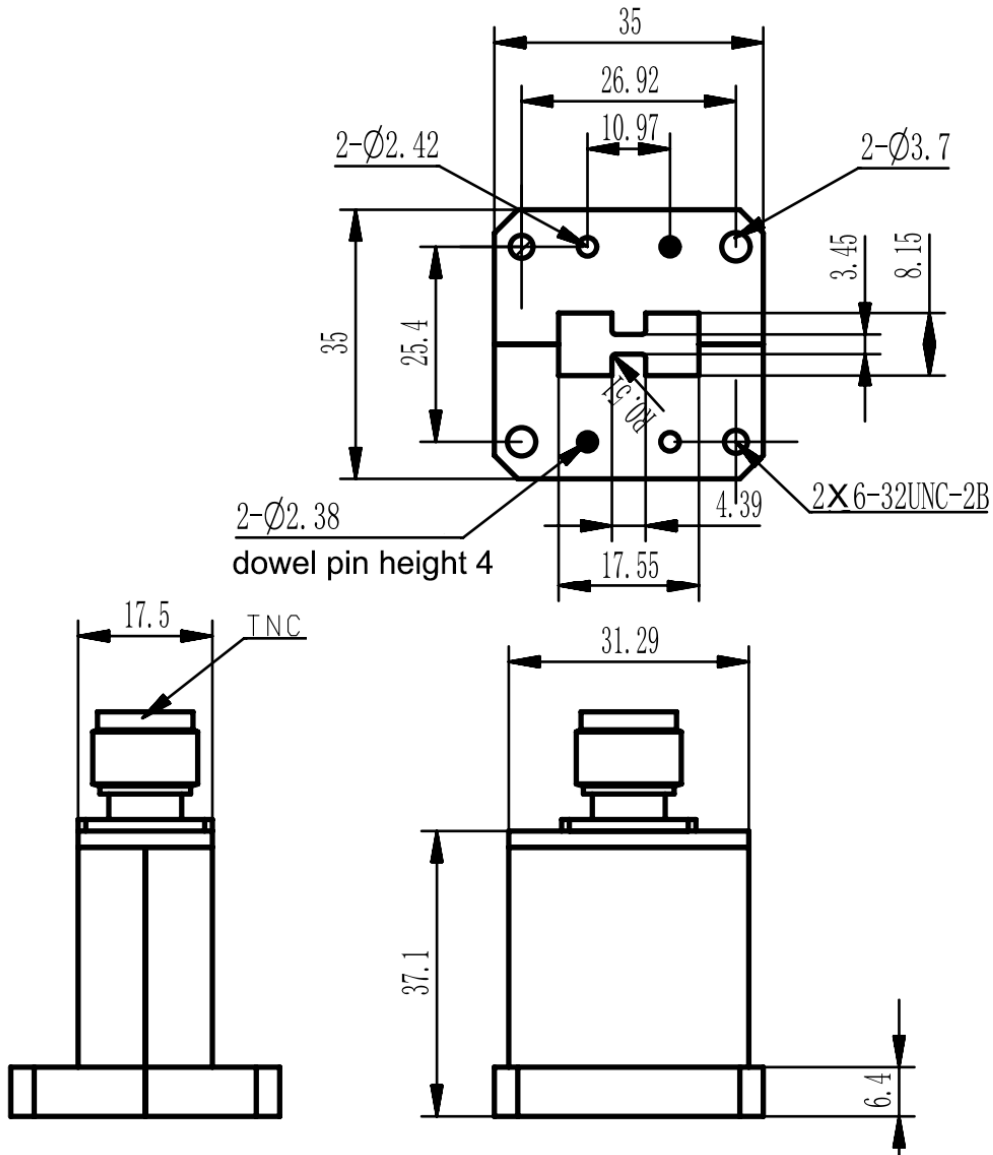
Waveguide Body	Aluminum, conductive oxidation, anti-corrosive paint
Connector Body	Passivated stainless steel
Center Contact	Gold plated beryllium copper
Operating Temperature	-40°C to +85°C
Connector Interface	MIL-STD-348
RoHS	Compliant under exemptions 6 (b) or 6 (c)
Net Weight	Approx 100g

### Note

\* Paint in grey or black by default, other colors available.

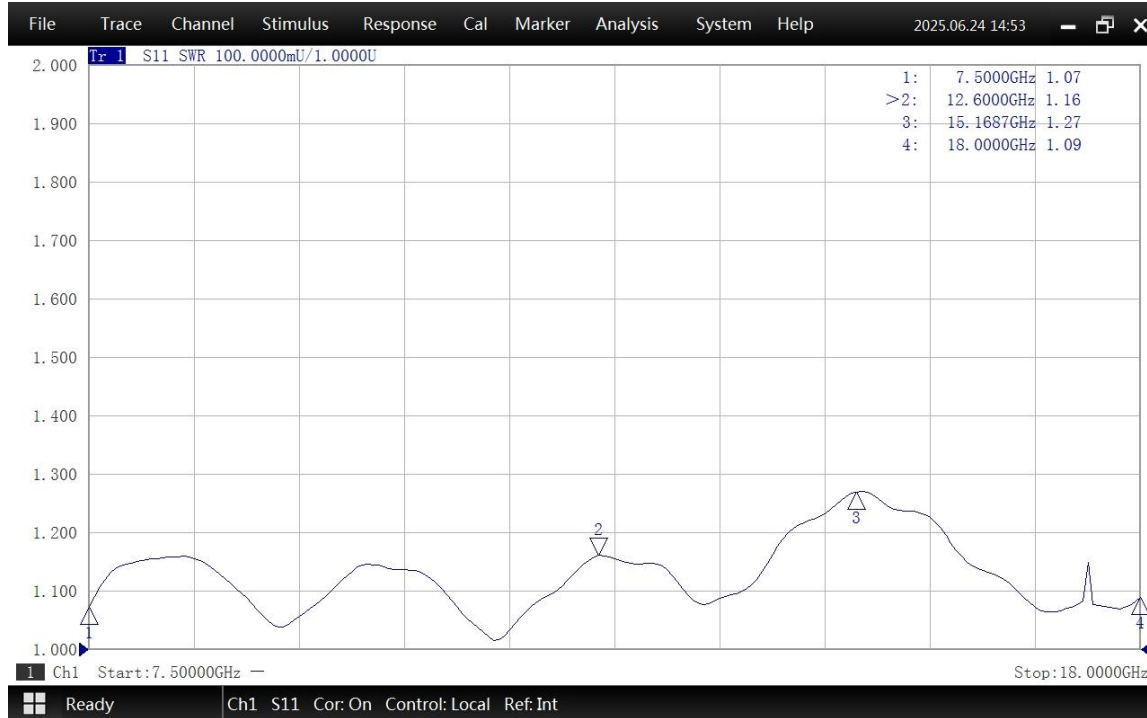
WRD750 to TNC Female Waveguide to Coaxial Adapter  
 Square Cover Flange, End Launch

Dimensions(mm)

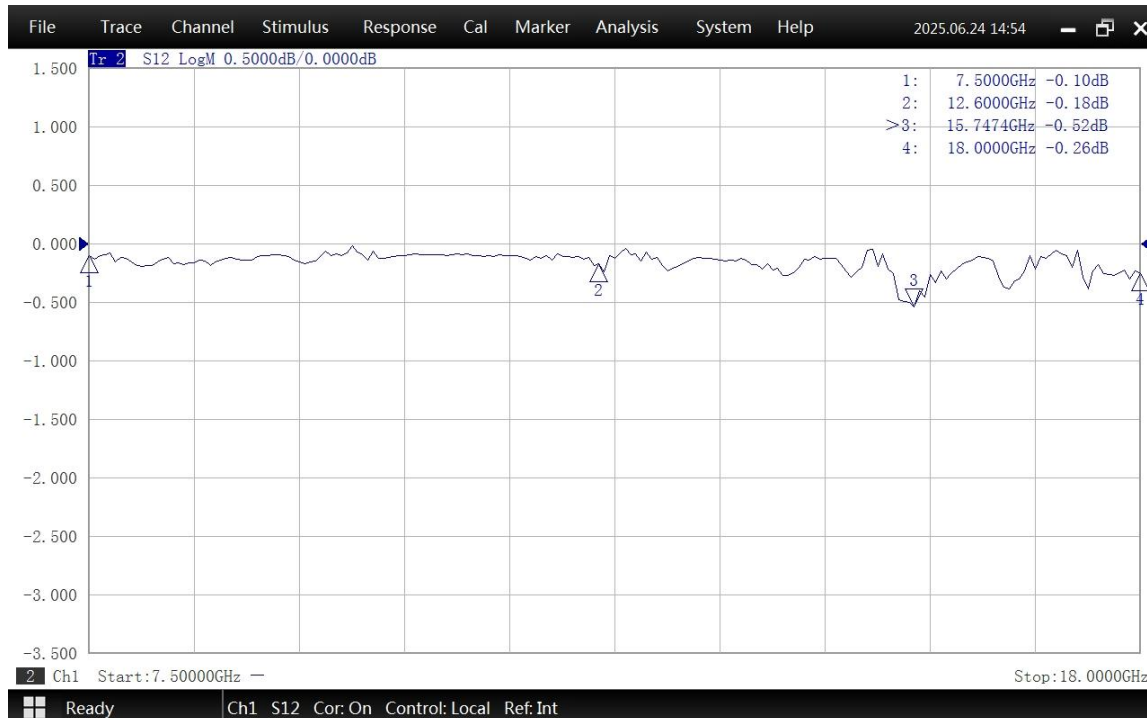


**WRD750 to TNC Female Waveguide to Coaxial Adapter  
Square Cover Flange, End Launch**

**Typical Test Data at 25°C**



VSWR



Insertion Loss\*

\* In Insertion Loss (IL) testing, adapters are measured back-to-back. To obtain the loss of a single adapter, divide the measured value by two.