



## 20-25 GHz Band Pass Filter

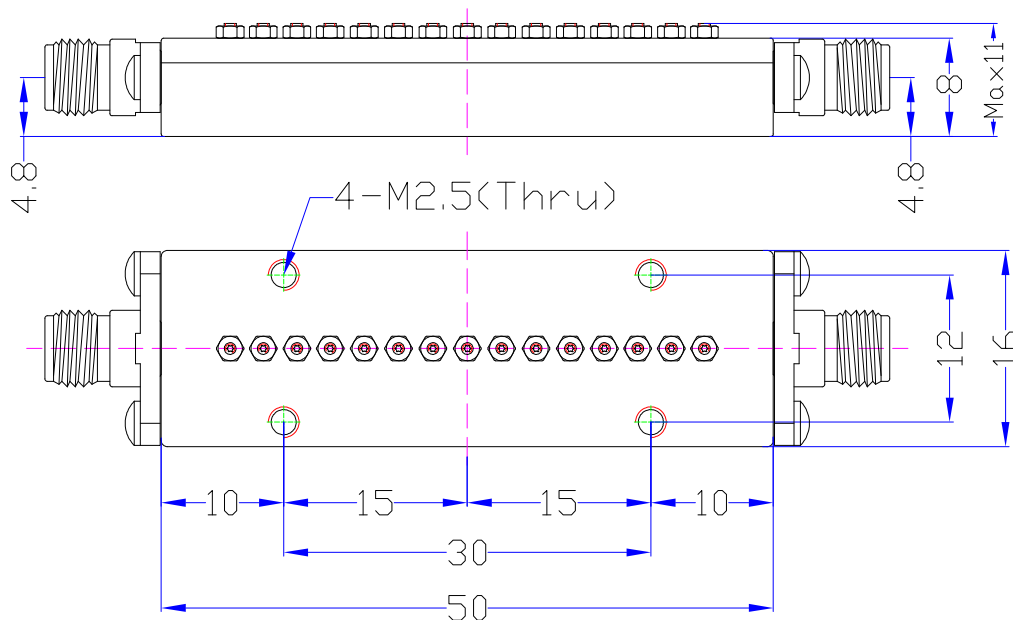
## BPF-22500MK1

RVA 1

### Specifications

1	Center Frequency(F0)	22500MHz	
2	Pass Band Frequency	20000 ~ 25000 MHz	
3	Pass Band Insertion Loss	≤1.1dB	
4	Pass Band Ripple	≤0.44dB	
5	Pass Band Return Loss	≥18dB	
6	Stop Band Rejection	≥80dB @ DC ~ 18250MHz ≥47dB @ 18250 ~ 19000MHz	≥50dB @ 26000 ~ 26520MHz ≥80dB @ 26520 ~ 56000MHz
7	Impedance	50 Ohms	
8	Power Handling	5W max	
9	Connectors	2.92mm Female	
10	Surface Finish	Black Painted	
11	Temperature Range	-30℃ ~ +70℃	

### Dimensions(mm)





# 20-25 GHz Band Pass Filter

# BPF-22500MK1

RVA 1

## Typical Test Data

