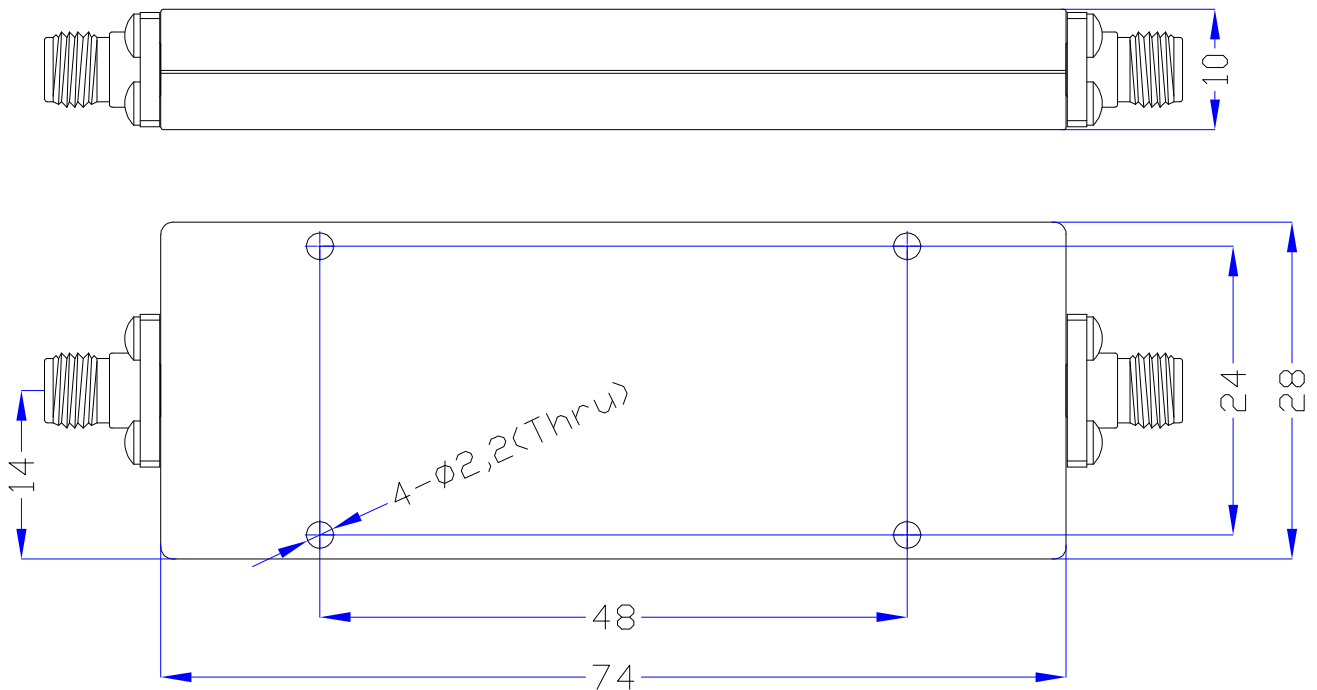


Specifications

1	Center Frequency (F0)	8000MHz	
2	Pass Band Frequency	4000 ~ 12000 MHz	
3	Pass Band Insertion Loss	≤1.2dB	
4	Pass Band Ripple	≤0.7dB	
5	Pass Band VSWR	≤1.5	
6	Stop Band Rejection	≥40dB @ DC ~ 3000MHz	≥40dB @ 13200 ~ 21000MHz
7	Impedance	50 Ohms	
8	Power Handling	10W max	
9	Connectors	SMA-Female	
10	Surface Finish	Black Painted	
11	Temperature Range	-30℃ ~ +70℃	
12	Net Weight	60g	

Dimensions(mm)



Typical Test Data

