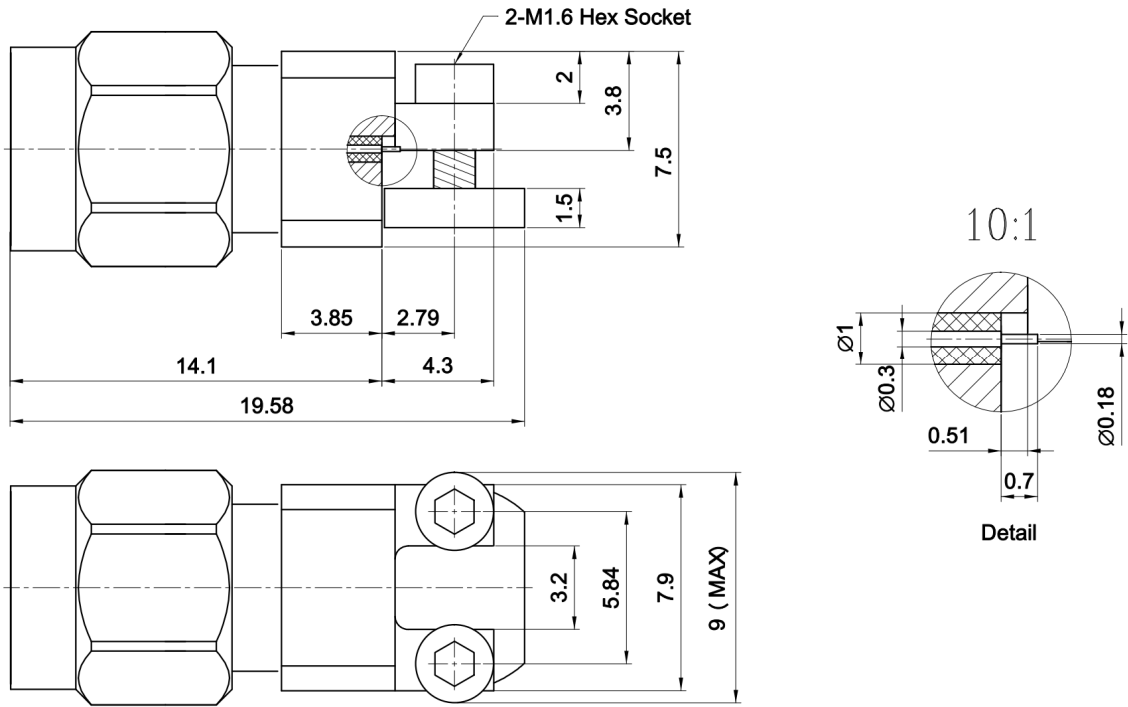


Drawing(mm)



Electrical & Environmental

Impedance	50 ohm
Frequency Range	DC-40 GHz
VSWR	1.25 max
Operating Temp	-55°C-+165°C
RoHS	Compliant
Mating Life	500 Cycles
* PCB Thickness	3 mm max

\* Max PCB thickness is on using our standard screws. Thicker PCB is also applicable by changing to longer screws.

Material

Connector Housing	Passivated stainless steel
Connector Center Contact	Gold plated beryllium copper
Connector Dielectric	PEI
Transition Block	Passivated stainless steel
Launch Pin	Gold plated beryllium copper
Block Dielectric	PTFE