



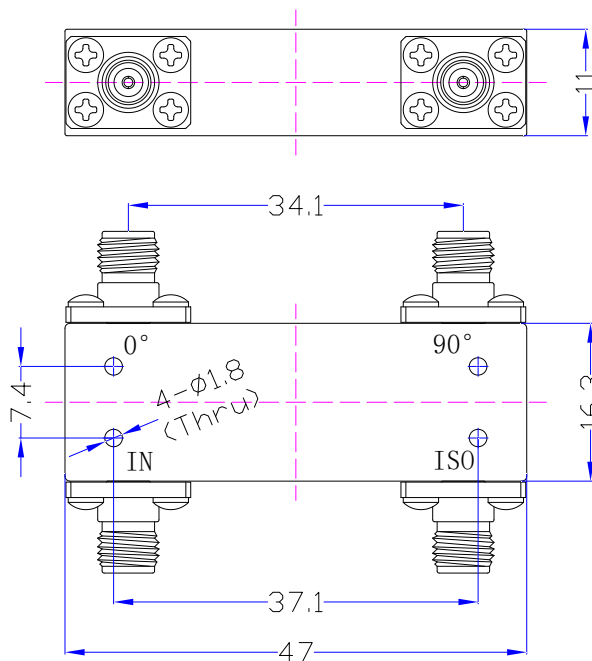
Electrical & Environmental

Frequency Range	2-4 GHz
Phase Difference	90°
Nominal Split	3.01dB
Insertion Loss	≤0.35dB
VSWR	≤1.25
Amplitude Balance	≤±0.5dB
Phase Balance	≤±2°
Isolation	≥25dB
Impedance	50 Ohms
Power Handling	50W max
Operating temperature	-55°C ~ +85°C

Mechanical

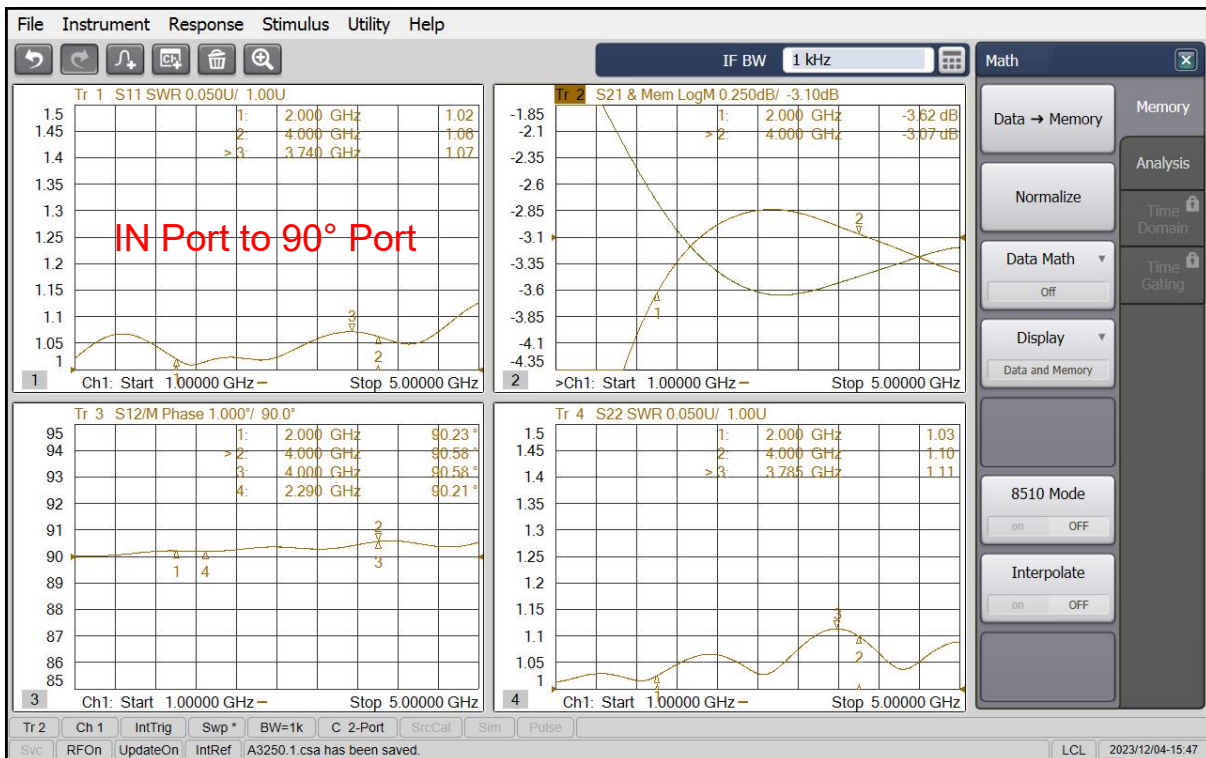
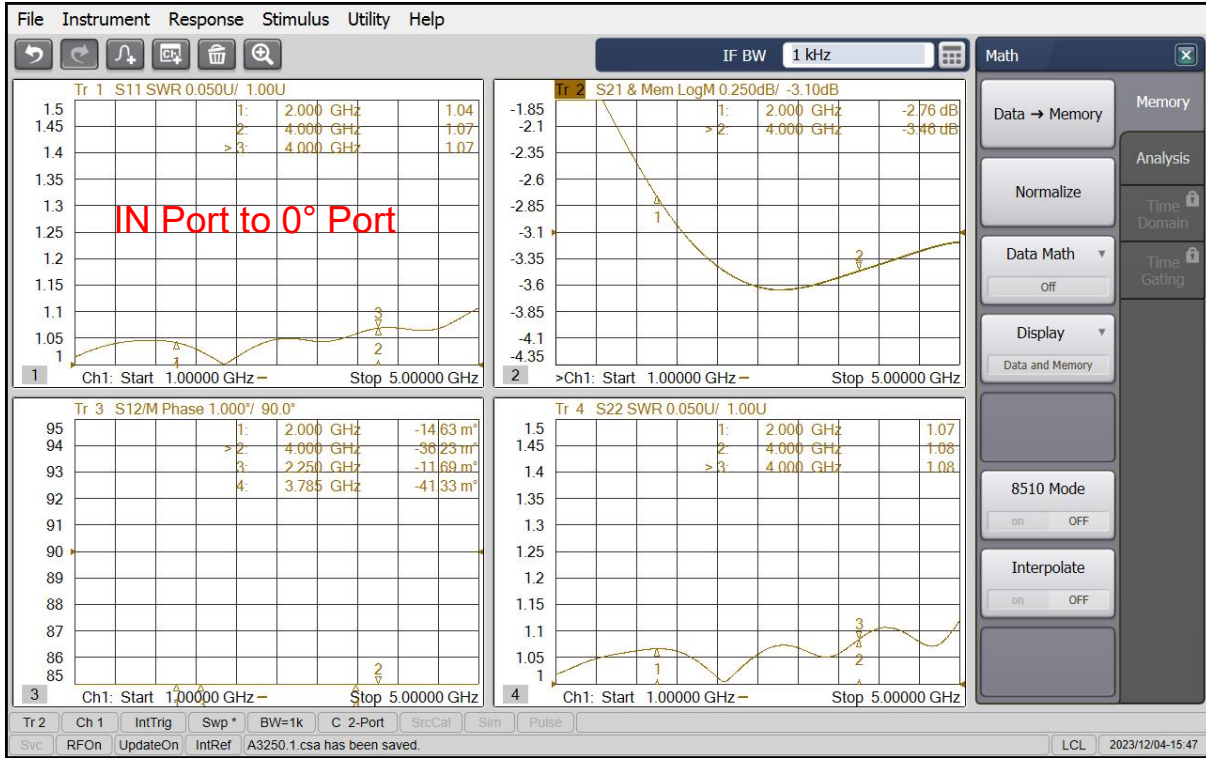
Connector	SMA female
Housing	Black or gray painting, aluminum alloy housing

Dimensions(Unit: mm/[inch], Tolerance: ±0.5mm)





Typical Test Data





Typical Test Data

