



## 14.5-25 GHz High Pass Filter

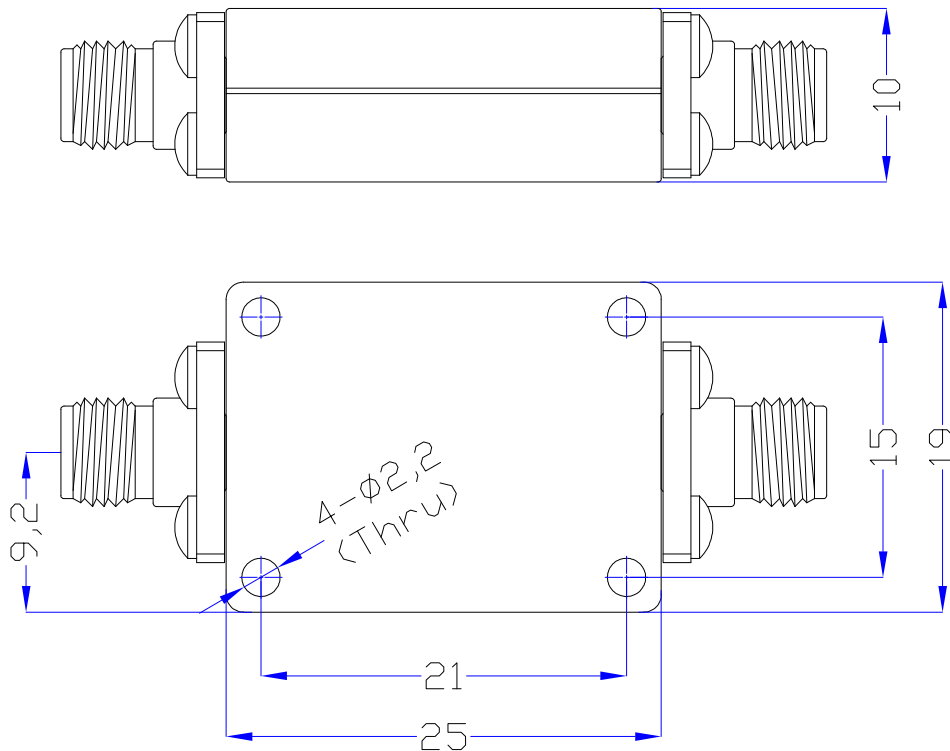
## HPF-14D5GS1

RVA 1

### Specifications

1	Pass Band Frequency	14.5~25 GHz
2	Pass Band Insertion Loss	≤2.0dB @ 14.5~15.2 GHz ≤1.0dB @ 15.2~25 GHz
3	Pass Band VSWR	≤1.6
4	Stop Band Attenuation	≥60dB @ DC~13.3GHz
5	Impedance	50 ohms
6	Power	≤15W
7	Connectors	SMA-Female
8	Surface Finish	Black Paint
9	Temperature Range	-55°C ~ +85°C
10	Weight	20 g

### Dimensions (Unit: mm)





# 14.5-25 GHz High Pass Filter

# HPF-14D5GS1

RVA 1

## Typical Test Data

