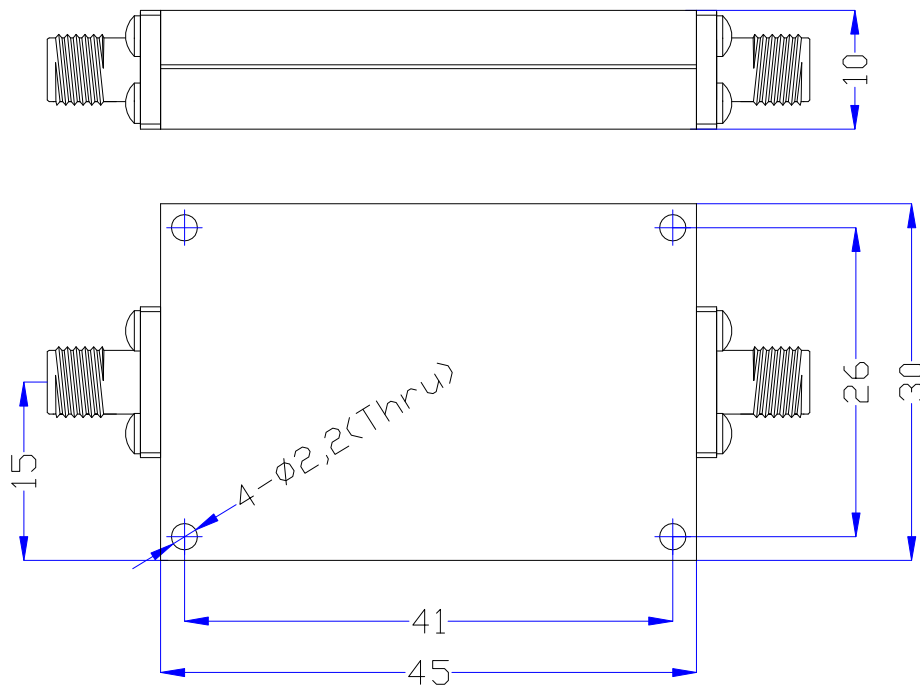


Specifications

1	Pass Band Frequency	2.75 ~16 GHz
2	Pass Band Insertion Loss	≤2.0dB @ 2.75 ~2.95GHz ≤1.0dB @ 2.95 ~16GHz
3	Pass Band VSWR	≤1.5
4	Stop Band Attenuation	≥60dB @ DC ~2.36GHz
5	Impedance	50 ohms
6	Power	≤15W
7	Connectors	SMA-Female
8	Surface Finish	Black Paint
9	Temperature Range	-55°C ~ +85°C
10	Weight	About 45 g

Dimensions (Unit: mm)



Typical Test Data

