



## 3.5 -19.0 GHz High Pass Filter

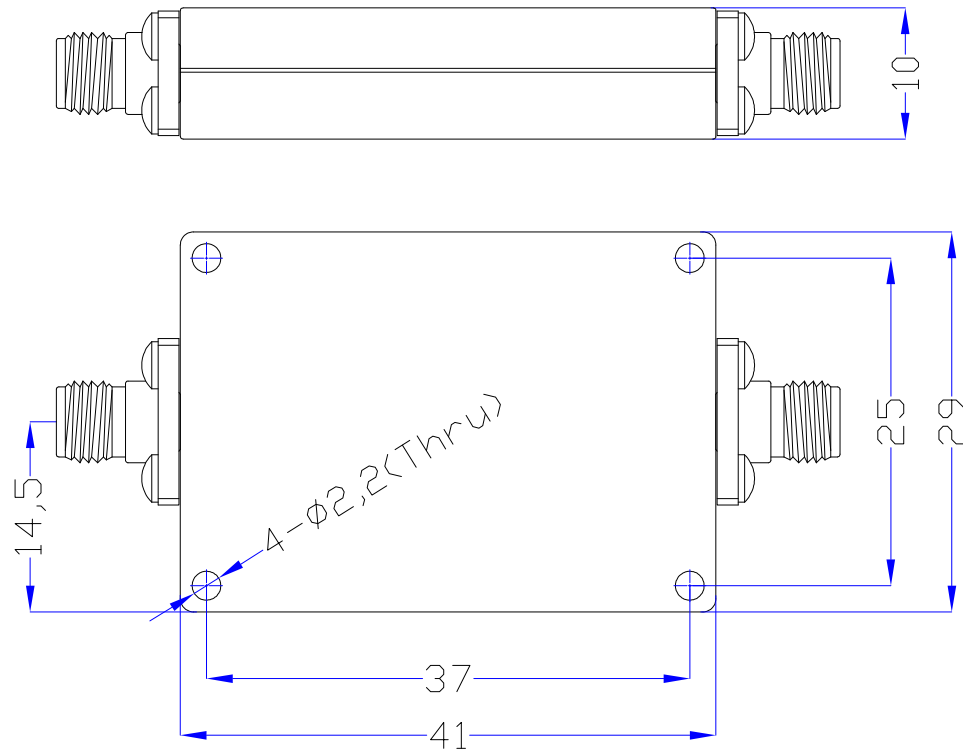
## HPF-3D5GS1

RVA 1

### Specifications

1	Pass Band Frequency	3.5 ~19.0 GHz
2	Pass Band Insertion Loss	≤2.0dB @ 3.5 ~3.7 GHz ≤1.0dB @ 3.7 ~19.0 GHz
3	Pass Band VSWR	≤1.5
4	Stop Band Attenuation	≥60dB @ DC ~3.08 GHz
5	Impedance	50 ohms
6	Power	≤15W
7	Connectors	SMA-Female
8	Surface Finish	Black Paint
9	Temperature Range	-55°C ~ +85°C
10	Weight	36 g

### Dimensions (Unit: mm)





# 3.5 -19.0 GHz High Pass Filter

# HPF-3D5GS1

RVA 1

## Typical Test Data

