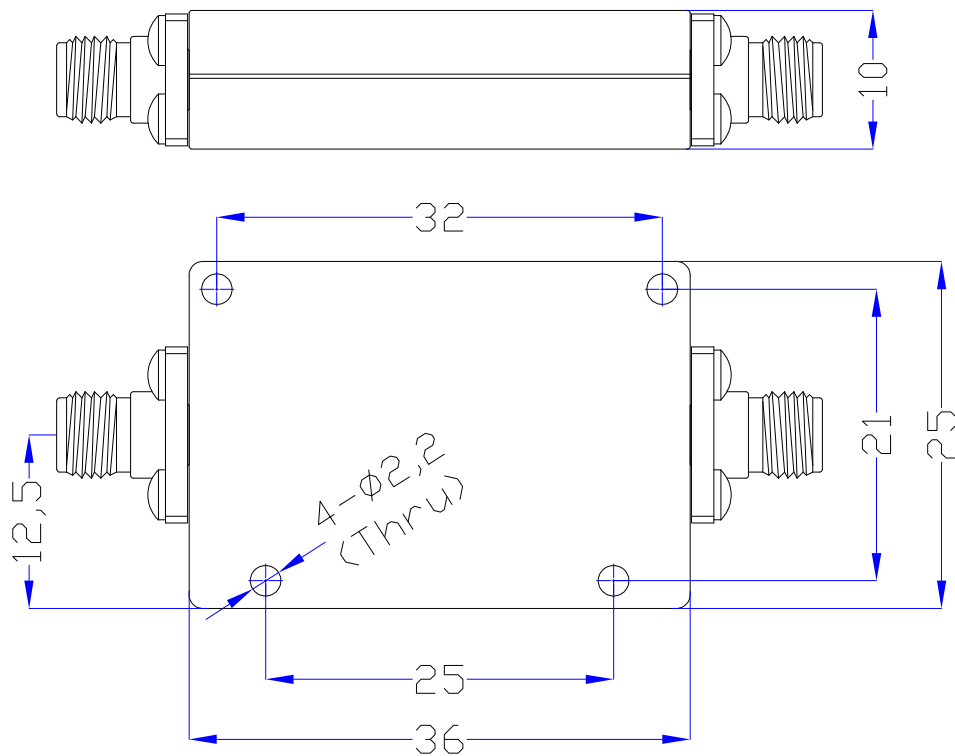


Specifications

1	Pass Band Frequency	4.5 ~21.0 GHz
2	Pass Band Insertion Loss	≤2.0dB @ 4.5 ~4.75 GHz ≤1.0dB @ 4.75 ~21.0 GHz
3	Pass Band VSWR	≤1.5
4	Stop Band Attenuation	≥60dB @ DC ~3.98 GHz
5	Impedance	50 ohms
6	Power	≤15W
7	Connectors	SMA-Female
8	Surface Finish	Black Paint
9	Temperature Range	-55°C ~ +85°C
10	Weight	30 g

Dimensions (Unit: mm)



Typical Test Data

