



7 -24 GHz High Pass Filter

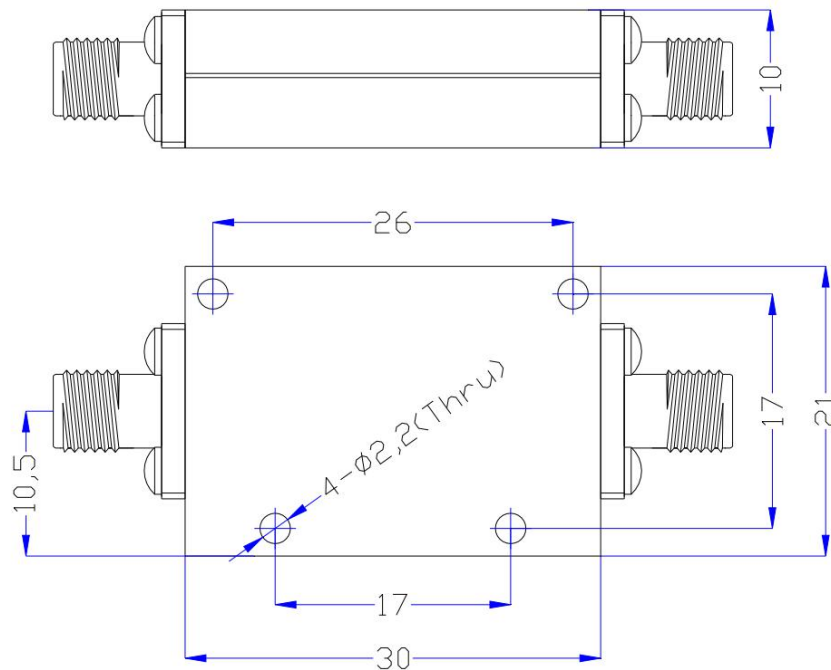
HPF-724GS1

RVA 1

Specifications

1	Pass Band Frequency	7.0 ~24GHz
2	Pass Band Insertion Loss	≤2.0dB @ 7.0~7.4GHz ≤1.0dB @ 7.4~24GHz
3	Pass Band VSWR	≤1.5 @ 7.0~20GHz ≤1.8 @ 20~24GHz
4	Stop Band Attenuation	≥60dB @ DC ~6.3GHz
5	Impedance	50 ohms
6	Power	≤15W
7	Connectors	SMA-Female
8	Surface Finish	Black Paint
9	Temperature Range	-55°C ~ +85°C
10	Weight	About 20 g

Dimensions (Unit: mm)





7 -24 GHz High Pass Filter

HPF-724GS1

RVA 1

Typical Test Data

