



## 8.0 -25 GHz High Pass Filter

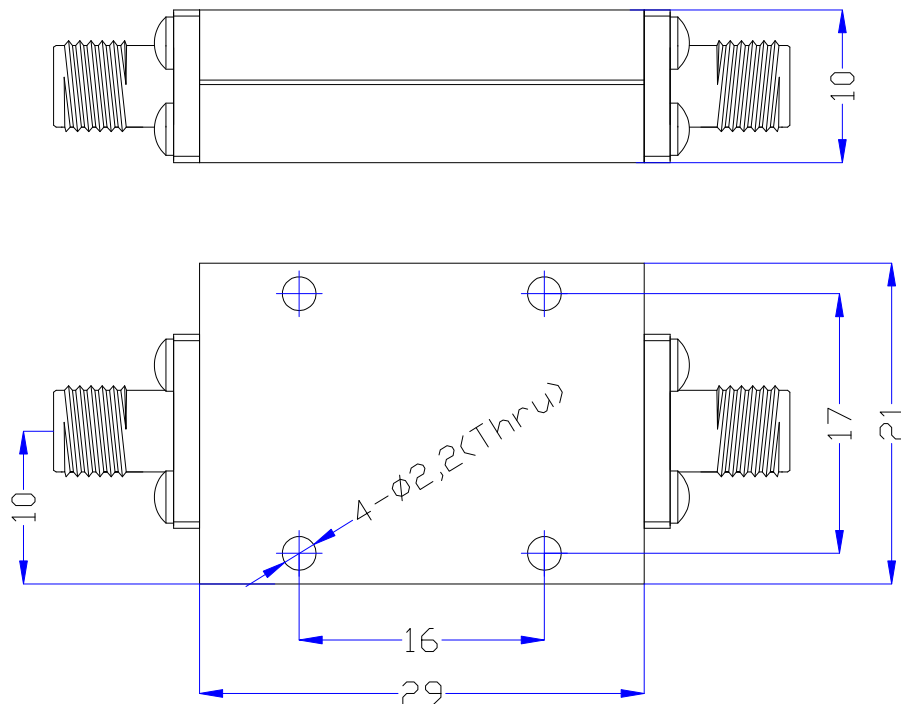
## HPF-8GS1

RVA 1

### Specifications

|    |                          |   |
|----|--------------------------|---|
| 1  | Cut Off Frequency        | 8.0 GHz                                     |
| 2  | Pass Band Frequency      | 8.0 ~25GHz                                  |
| 3  | Pass Band Insertion Loss | ≤2.0dB @ 8.0 ~8.5GHz<br>≤1.0dB @ 8.5 ~25GHz |
| 4  | Pass Band VSWR           | ≤1.5  |
| 5  | Stop Band Attenuation    | ≥60dB @ DC ~7.25GHz                         |
| 6  | Impedance                | 50 ohms                                     |
| 7  | Power                    | ≤15W  |
| 8  | Connectors               | Passivated Stainless Steel SMA-Female       |
| 9  | Surface Finish           | Black Painted                               |
| 10 | Temperature Range        | -55°C ~ +85°C                               |
| 11 | Net weight               | About 20 g                                  |

### Dimensions (Unit: mm)





# 8.0 -25 GHz High Pass Filter

# HPF-8GS1

RVA 1

## Typical Test Data

