



DC -15 GHz Low Pass Filter

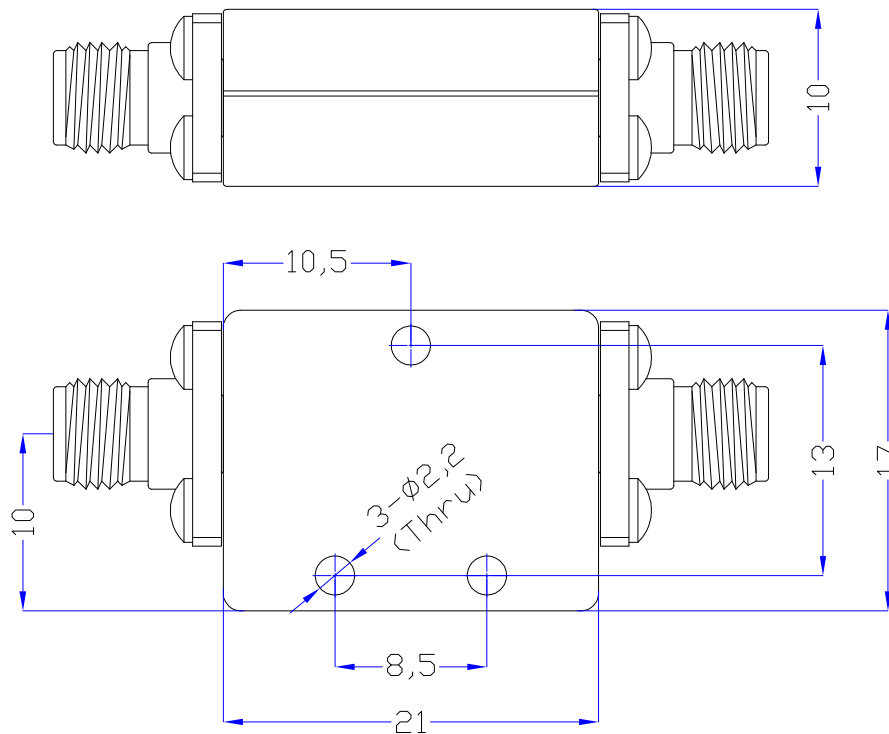
LPF-15GS1

RVA 1

Specifications

1	Pass Band Frequency	DC ~ 15GHz
2	Pass Band Insertion Loss	≤1.0dB @ DC~14.5GHz ≤2.5dB @ 14.5~15GHz
3	Pass Band VSWR	≤1.5
4	Stop Band Rejection	≥50dB @ 16 ~ 22.3GHz
5	Impedance	50 Ohms
6	Power Handling	15W max
7	Connectors	SMA-Female
8	Surface Finish	Black Painted
9	Temperature Range	-55°C ~ +85°C
10	Net weight	About 15g

Dimensions (Unit: mm, Tolerance: ±0.3mm)





DC -15 GHz Low Pass Filter

LPF-15GS1

RVA 1

Typical Test Data

