



DC -20 GHz Low Pass Filter

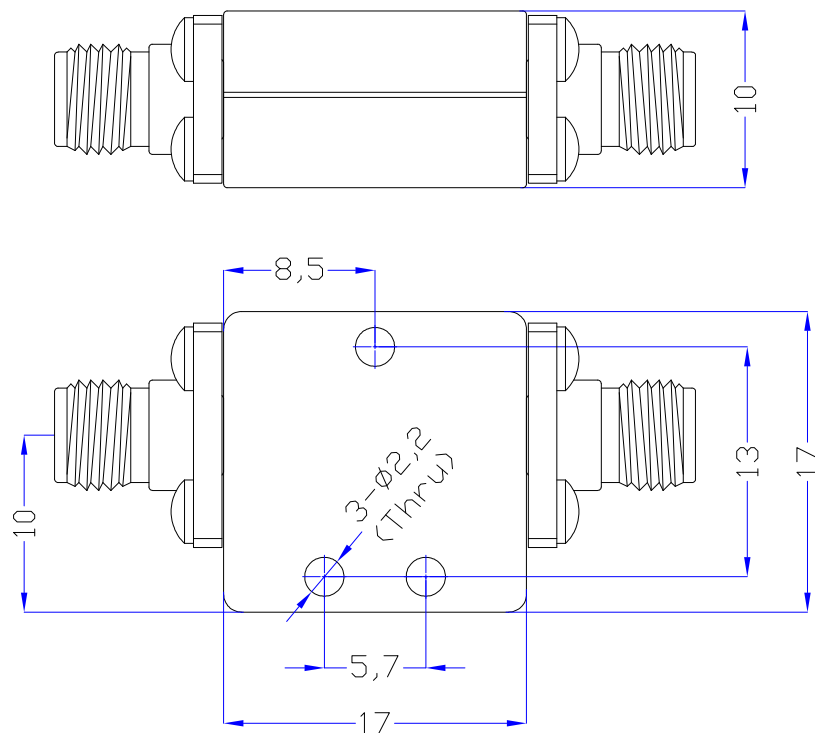
LPF-20GS1

RVA 1

Specifications

1	Pass Band Frequency	DC ~ 20GHz
2	Pass Band Insertion Loss	≤1.0dB @ DC~19GHz ≤3.0dB @ 19~20GHz
3	Pass Band VSWR	≤1.6
4	Stop Band Rejection	≥50dB @ 21.2 ~ 27GHz
5	Impedance	50 Ohms
6	Power Handling	15W Max.
7	Connectors	SMA-Female
8	Surface Finish	Black Painted
9	Temperature Range	-55°C ~ +85°C
10	Net weight	About 15g

Dimensions (Unit: mm, Tolerance: ±0.3mm)





DC -20 GHz Low Pass Filter

LPF-20GS1

RVA 1

Typical Test Data

